

FHGB Series

DESCRIPTION

High pressure filter

Connection type and size:

Threaded connection: 1/2" 3/4" 1" 1 1/4" 1 1/2"

SAE Flange connection: 3/4" 1" 1 1/4"

Maximum flow rate up to 450 l/min

TECHNICAL PARAMETER

Maximum working pressure: 420 bar

Bypass valve opening pressure: 6 bar

Transmitter opening pressure: 5 bar

Temperature rang: -25 to +110



Huayu P

MATERIALS

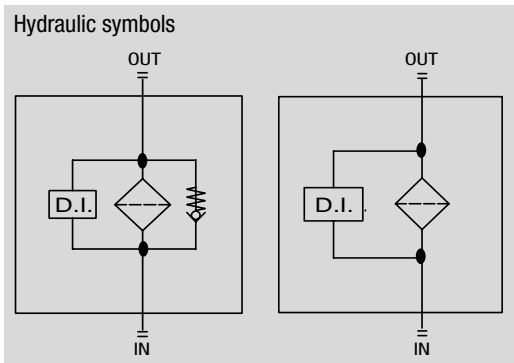
Head: Cast iron

Filter bowl: Carbon steel

Seals: NBR nitrile rubber (standard)

Or FKM fluororubber (customizable)

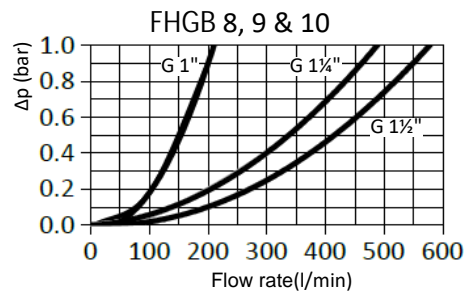
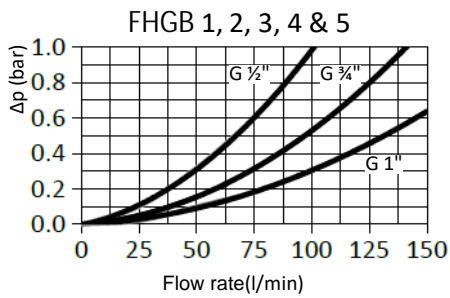
Filter element material: Fiberglass,
Stainless steel wire mesh



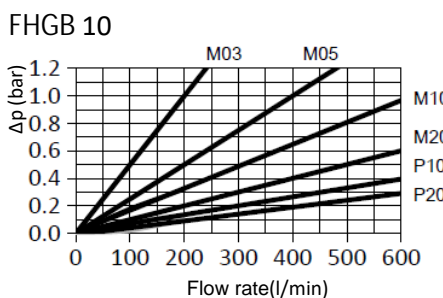
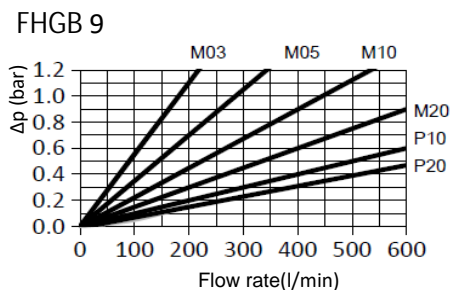
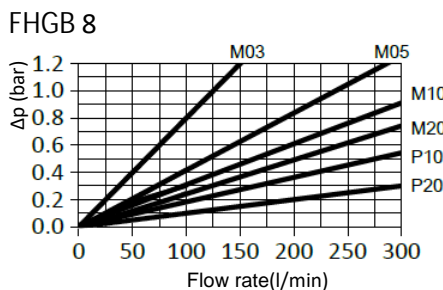
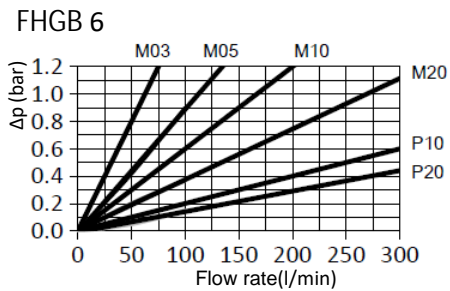
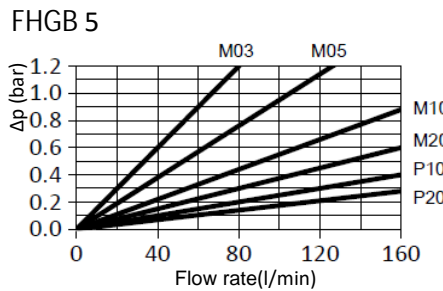
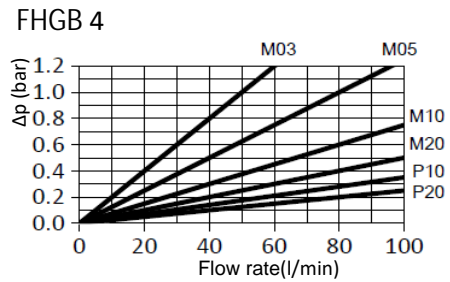
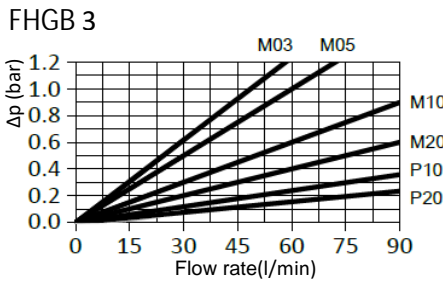
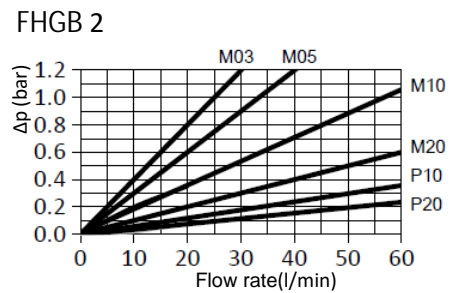
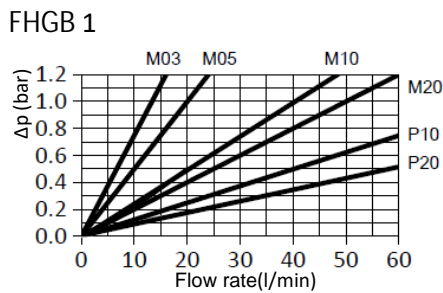
MEDIA COMPATIBILITY

Suitable for mineral oil, lubricating oil, fire-resistant oil, and rapidly biodegradable media.
(If used for water-based or special media, please consult our sales department.)

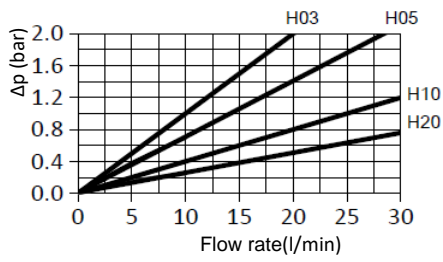
Filter housings Δp pressure drop



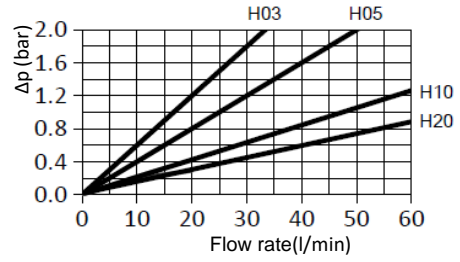
Pressure drop of cleaning filter element
(Depending both on the internal diameter of the element and on the filter media)



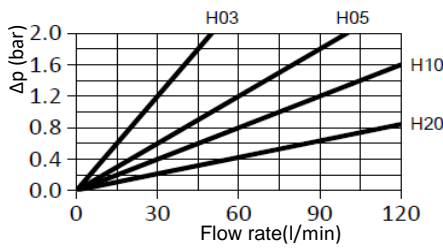
FHGB 1



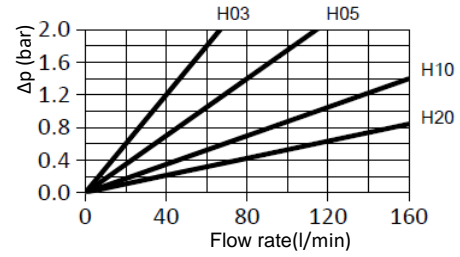
FHGB 2



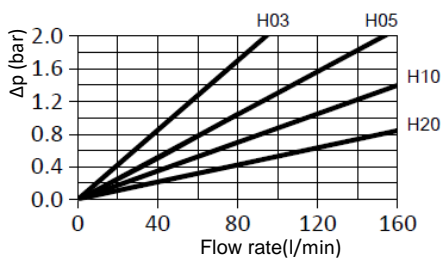
FHGB 3



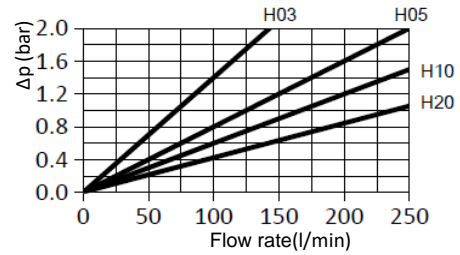
FHGB 4



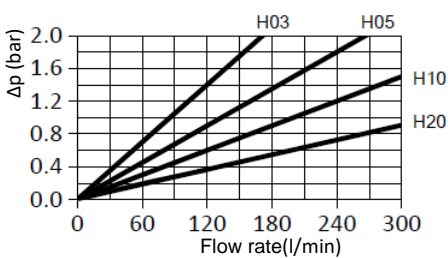
FHGB 5



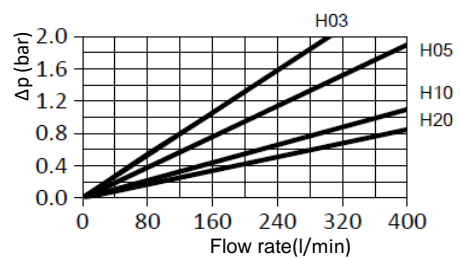
FHGB 6



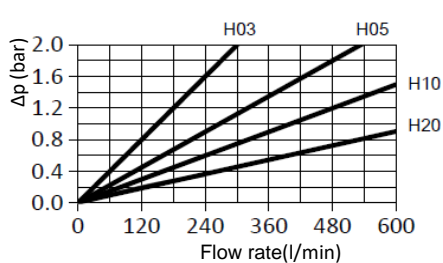
FHGB 8



FHGB 9



FHGB 10



The curves are plotted using mineral oil with density of 0.86 kg/dm³ in compliance with ISO 3968 Δp varies proportionally with density.

Ordering Options Table

FHGB 31 G2 F 10 N A B6

Filter type

Filter specification

11 12 13 21 22 31 32 33 34 35

Connection type and size

Type	Connection	Filter specification									
		11	12	13	21	22	31	32	33	34	35
B2	1/2"	●	●	●	-	-	-	-	-	-	-
B3	3/4"	●	●	●	●	●	-	-	-	-	-
B4	1"	-	-	-	●	●	●	●	●	●	●
B5	1-1/4"	-	-	-	-	-	●	●	●	●	●
B6	1 1/2"	-	-	-	-	-	●	●	●	●	●
F1	"	-	-	-	●	●	●	●	●	●	●
F2	1-1/4"	-	-	-	-	-	●	●	●	●	●
F3	1-1/2"	-	-	-	-	-	●	●	●	●	●
G1	1"	-	-	-	●	●	●	●	●	●	●
G2	1-1/4"	-	-	-	-	-	●	●	●	●	●
G3	1-1/2"	-	-	-	-	-	●	●	●	●	●

Filter element material

F: Fiberglass

W: Stainless steel wire mesh

Filter fineness(μm)

F: 03 05 10 20 30

W: 25 60 90

Seals

N: NBR V: FKM

Differential pressure transmitter

A: Steel blanking plug in indicator port

B: Visual (Automatic reset)

BM: Visual (Manual reset)

C: Electrical indicator

CM: Visual and electrical indicators

CL: Visual and electrical indicators

D: Electrical indicator

DM: Electrical indicator Plug DT 04-2P

Bypass valve opening pressure

B0 = Without

B6 = 6 bar



Filter Element

FYGB 31 F 10 N

Filter element type

Filter element specification

11 12 13 21 22 31 32 33 34 35

Filter element material

F: Fiberglass
W: Stainless steel wire mesh

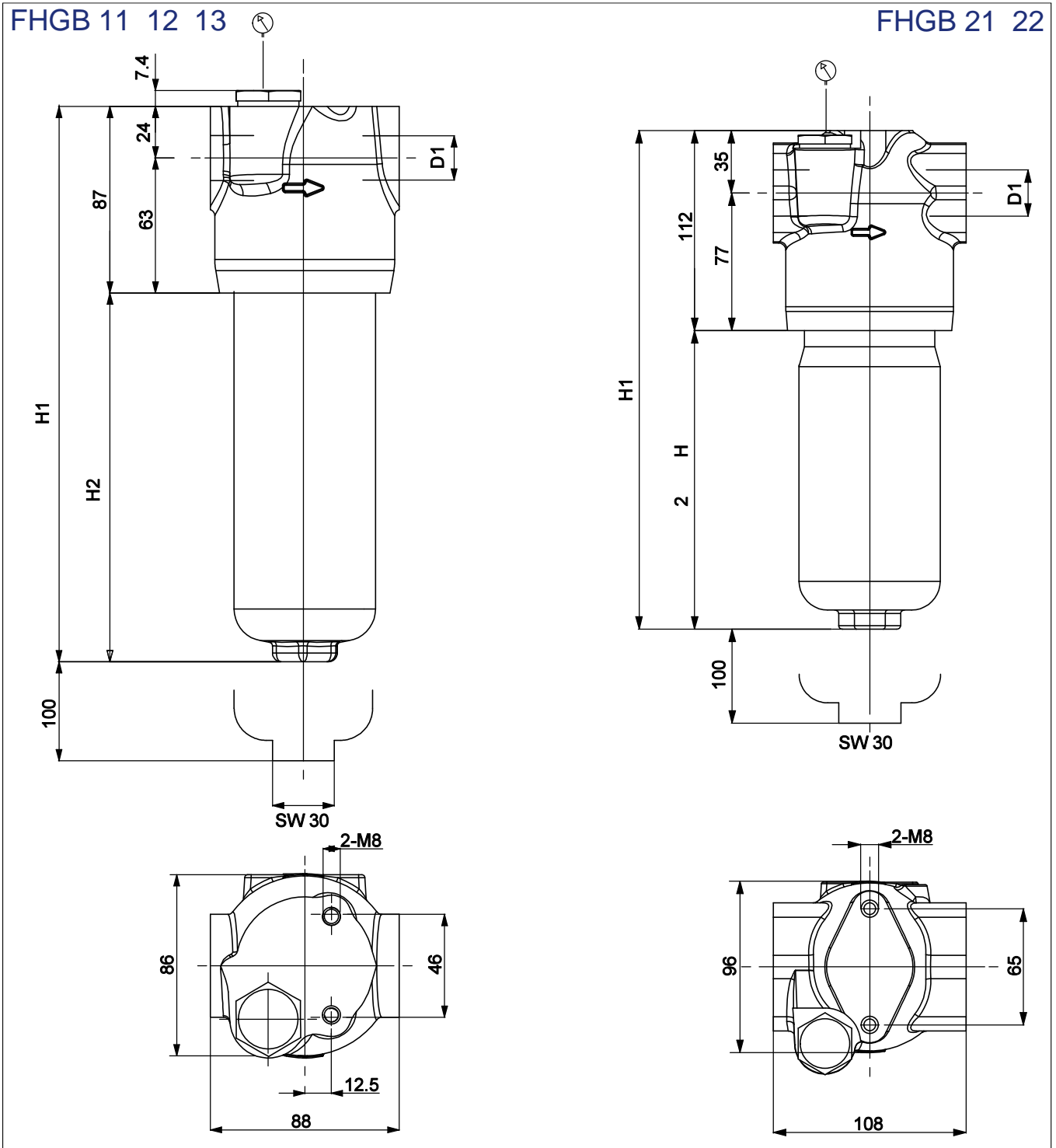
Filter fineness(μm)

F: 03 05 10 20 30
W: 25 60 90

Seals

N: NBR V: FKM

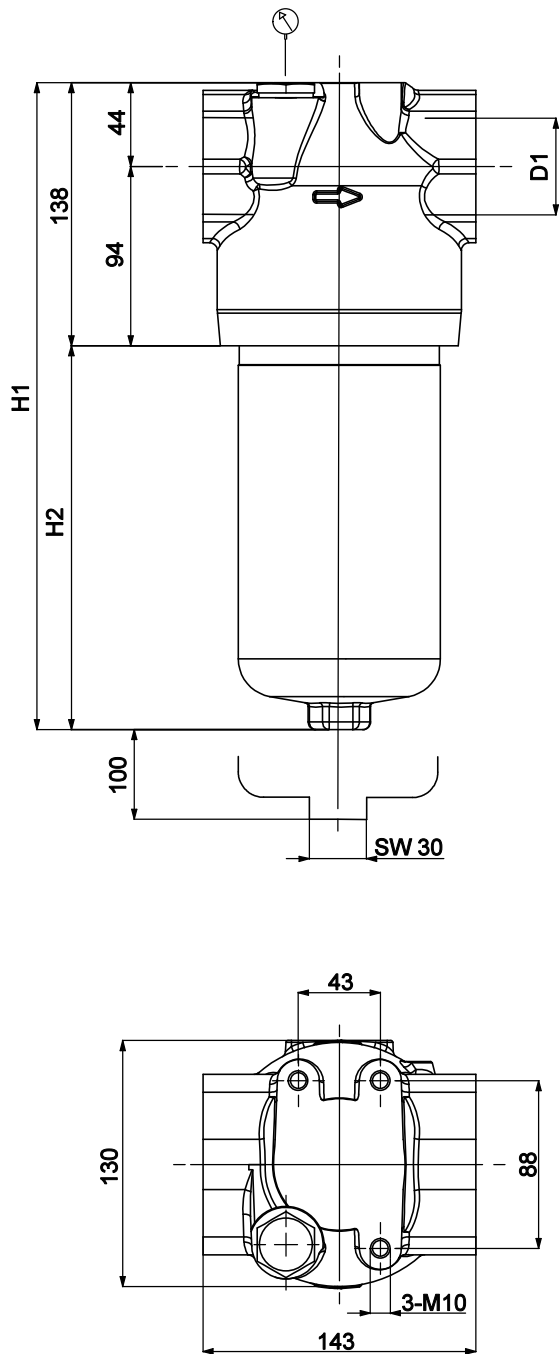
DIMENSIONS



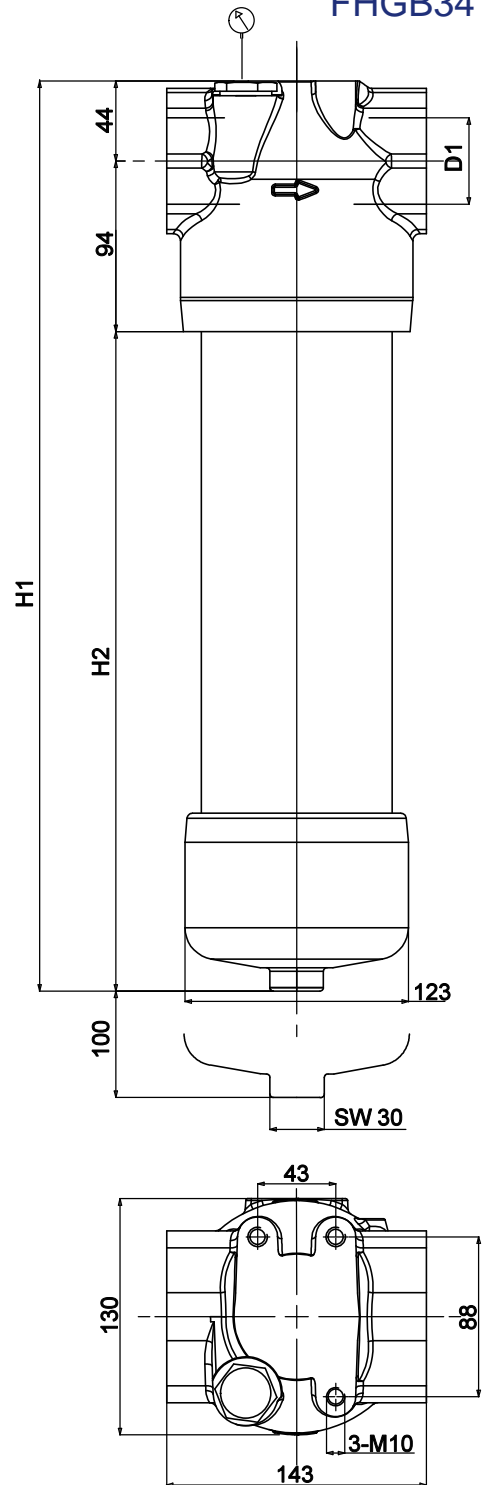
Product code	D1	H1	H2	kg
FHGB11	1/2"-3/4"	162	75	4.4
FHGB12	1/2"-3/4"	194	107	4.6
FHGB13	1/2"-3/4"	288	201	5.2
FHGB21	3/4" - 1"	219	107	6.6
FHGB22	3/4" - 1"	314	202	8.2

DIMENSIONS

FHGB 31 32 33



FHGB34 35



Product code	D1	H1	H2	kg
FHGB31	1" - 1"1/4 - 1"1/2	243	105	11.0
FHGB32	1" - 1"1/4 - 1"1/2	337	199	13.9
FHGB33	1" - 1"1/4 - 1"1/2	460	322	17.2
FHGB34	1" - 1"1/4 - 1"1/2	558	420	22.0
FHGB35	1" - 1"1/4 - 1"1/2	658	520	25.0