

FHGB Series

DESCRIPTION

High pressure filter

Connection type and size:

Threaded connection: 1/2" 3/4" 1"

Maximum flow rate up to 120 l/min

TECHNICAL PARAMETER

Maximum working pressure: 320 bar

Bypass valve opening pressure: 6 bar

Transmitter opening pressure: 5 bar

Temperature range: -25 to +110



MATERIALS

Head: Cast iron

Filter bowl: Carbon steel

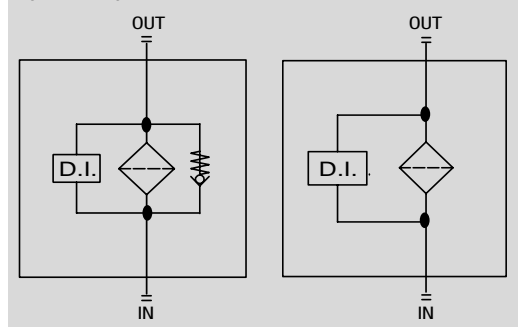
Seals: NBR nitrile rubber (standard)

Or FKM fluororubber (customizable)

Filter element material: Fiberglass,

Stainless steel wire mesh

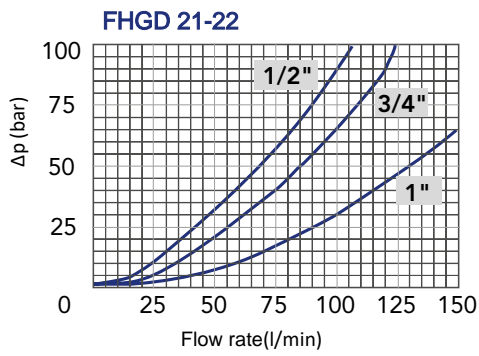
Hydraulic symbols



MEDIA COMPATIBILITY

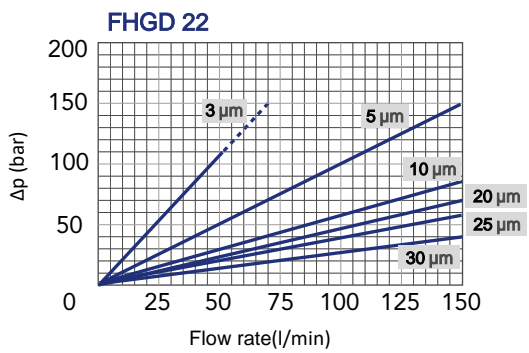
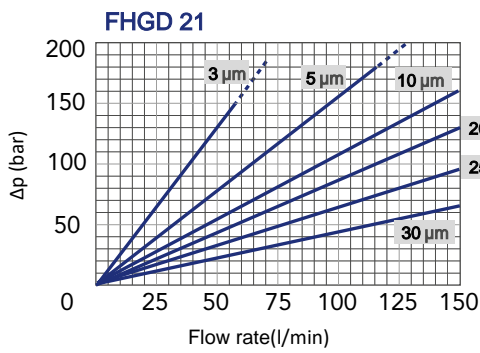
Suitable for mineral oil, lubricating oil, fire-resistant oil, and rapidly biodegradable media.
(If used for water-based or special media, please consult our sales department.)

Filter housings Δp pressure drop

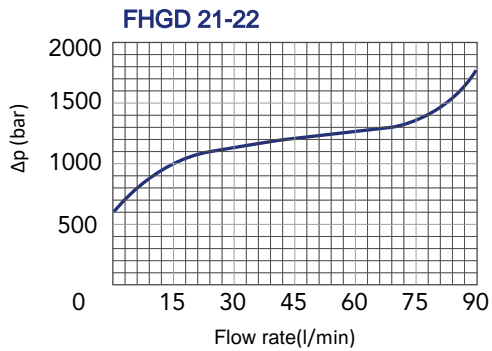


Pressure drop of cleaning filter element

(Depending both on the internal diameter of the element and on the filter media).



Bypass valve pressure drop



The curves are plotted using mineral oil with density of 0.86 kg/dm³ in compliance with ISO 3968 Δp varies proportionally with density.



Ordering Options Table

FHGD 21 G2 F 10 N A B6

Filter type

Filter specification

21 22

Connection type and size

| Type | Connection | Filter specification | |
|------|------------|----------------------|----|
| | | 21 | 22 |
| B2 | G 1/2" | ● | ● |
| B3 | G 3/4" | ● | ● |
| B4 | G 1" | ● | ● |

Filter element material

F: Fiberglass
W: Stainless steel wire mesh

Filter fineness(μm)

F: 03 05 10 20 30
W: 25 60 90

Seals

N: NBR V: FKM

Differential pressure transmitter

A: Steel blanking plug in indicator port
B: Visual (Automatic reset)
BM: Visual (Manual reset)
C: Electrical indicator
CM: Visual and electrical indicators
CL: Visual and electrical indicators
D: Electrical indicator
DM: Electrical indicator Plug DT 04-2P

Bypass valve opening pressure

B0 = Without
B6 = 6 bar

Filter Element

FYGD 21 F 10 N

Filter element type

Filter element specification

21 22

Filter element material

F: Fiberglass
W: Stainless steel wire mesh

Filter fineness(μm)

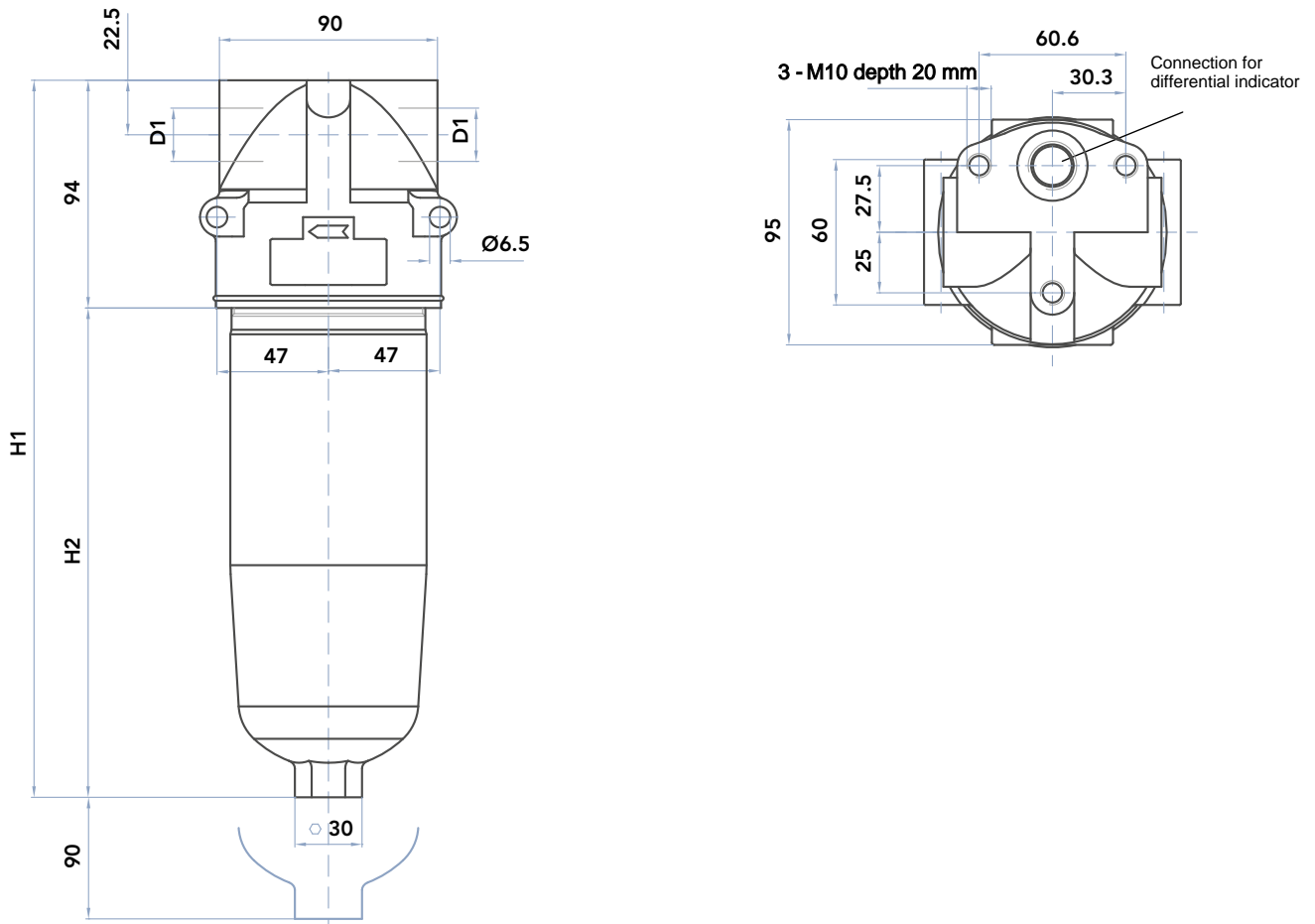
F: 03 05 10 20 30
W: 25 60 90

Seals

N: NBR V: FKM



DIMENSIONS



Filter housing

| Product code | D1 | H1 | H2 | Kg |
|--------------|------------------|-----|-----|-----|
| FHGD 21 | 1/2" - 3/4" - 1" | 205 | 111 | 4.8 |
| FHG D22 | 1/2" - 3/4" - 1" | 300 | 206 | 6.2 |