

PHGT Series

DESCRIPTION

High pressure filter

Side panel connection

Inside diameter: Ø16 Ø20 Ø30

Maximum flow rate up to 485 l/min

TECHNICAL PARAMETER

Maximum working pressure: 320 bar

Bypass valve opening pressure: 6 bar

Transmitter opening pressure: 5 bar

Temperature range: -25 to +110



MATERIALS

Head: Cast iron

Filter barrel: Carbon steel

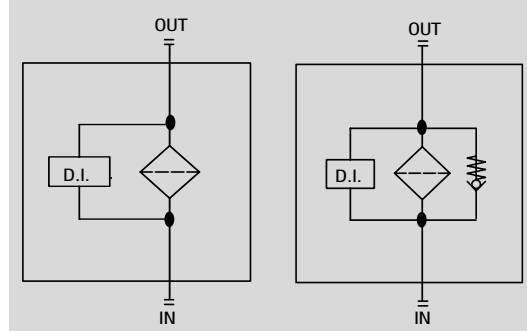
Seals: NBR nitrile rubber (standard)

Or FKM fluororubber (customizable)

Filter element material: Fiberglass,

Stainless steel wire mesh

Hydraulic symbols



MEDIA COMPATIBILITY

Suitable for mineral oil, lubricating oil, fire-resistant oil, and rapidly biodegradable media.

(If used for water-based or special media, please consult our sales department.)

Weights [kg] and volumes [dm³]

Filter series	Length	Weights [kg]				Length	Volumes [dm ³]			
		1	2	3	4		1	2	3	4
PHGT 065		3.33	3.69	4.90	-		0.20	0.27	0.49	-
PHGT 135		6.61	8.21	9.21	-		0.40	0.73	0.94	-
PHGT 320		12.95	15.08	17.37	26.77		0.91	1.63	2.40	3.59

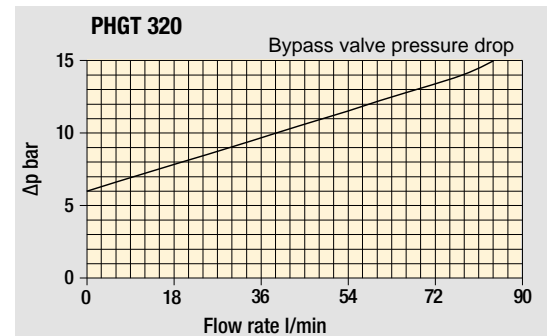
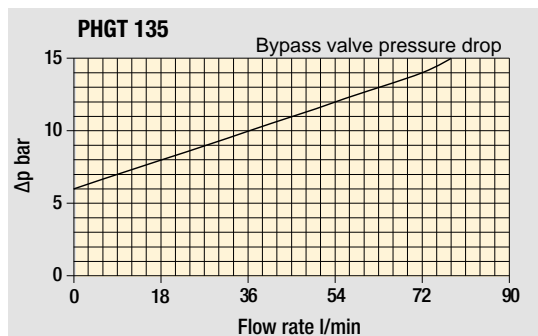
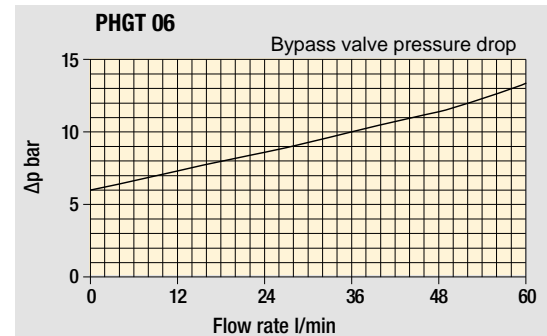
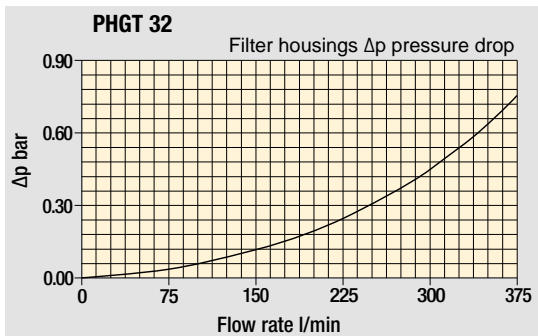
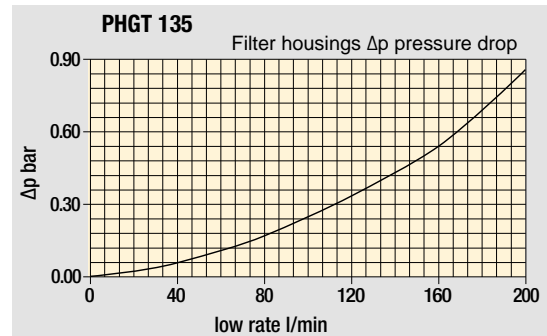
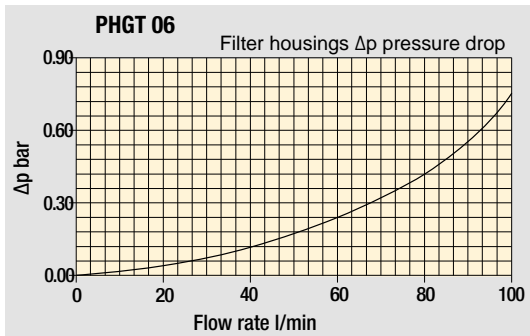
FILTER ASSEMBLY SIZING

Flow rates (l/min)

Filter series	Length	Filter element design - F series					W series	
		F03	F05	F10	F20	F30	W25	
PHGT 065	1	25	33	55	62	87	133	
	2	33	51	70	76	101	134	
	3	60	71	97	103	118	138	
PHGT 135	1	67	72	120	129	177	212	
	2	109	116	152	154	224	250	
	3	153	155	201	205	226	253	
PHGT 320	1	130	143	238	286	343	442	
	2	259	281	391	409	454	468	
	3	332	368	441	455	463	476	
	4	368	390	446	462	481	488	

Maximum flow rate for a complete return filter with a pressure drop $\Delta p = 1.5$ bar.

The reference fluid has a kinematic viscosity of 30 mm²/s (cSt) and a density of 0.86 kg/dm³.



Ordering Options Table

PHGT 320 2 T3 F 10 N A B6

Filter type

Filter specification

065 135 320

Length

1 2 3 4

Connection type and size

Type	Connection	Filter specification		
		065	135	320
T1	Ø16	●	-	-
T2	Ø20	-	●	-
T3	Ø30	-	-	●

Filter element material

F: Fiberglass
W: Stainless steel wire mesh

Filter fineness(µm)

F: 03 05 10 20 30
W: 25

Seals

N: NBR V: FKM

Differential pressure transmitter

A: Steel blanking plug in indicator port
B: Visual (Automatic reset)
BM: Visual (Manual reset)
C: Electrical indicator
CM: Visual and electrical indicators
CL: Visual and electrical indicators
D: Electrical indicator
DM: Electrical indicator Plug DT 04-2P

Bypass valve opening pressure

S = Without bypass valve
B = 6 bar

Filter Element

PYGT 320 2 F 10 N

Filter element type

Filter element specification

039 065 135 320

Length

1 2 3 4

Filter element material

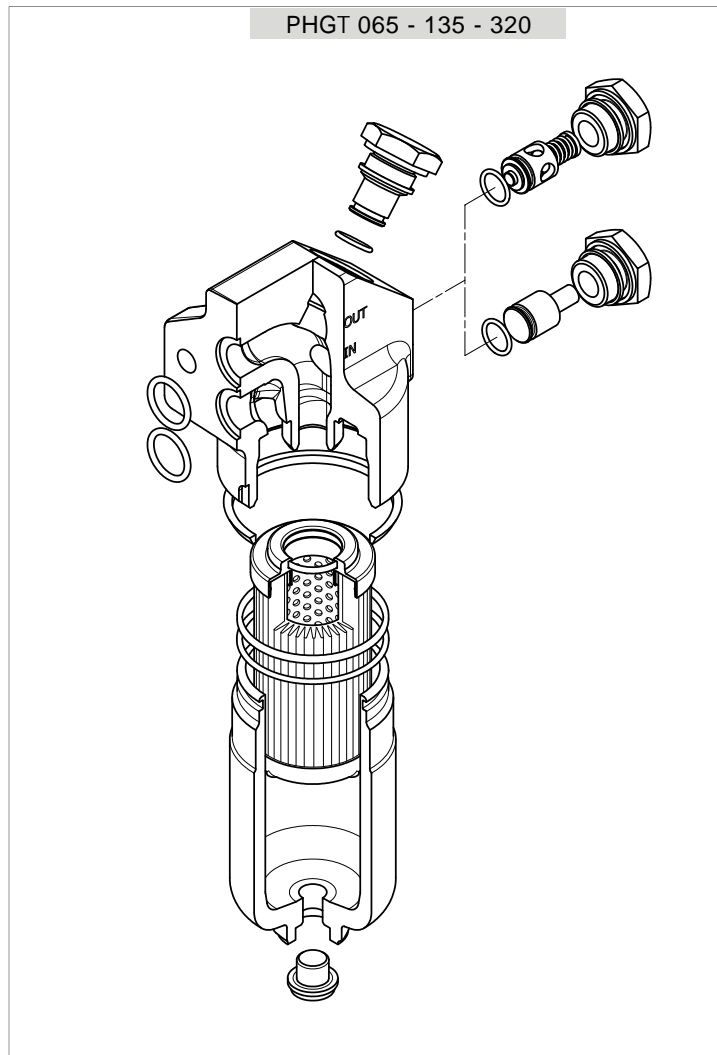
- F: Fiberglass
- W: Stainless steel wire mesh

Filter fineness(μm)

- F: 03 05 10 20 30
- W: 25

Seals

- N: NBR
- V: FKM

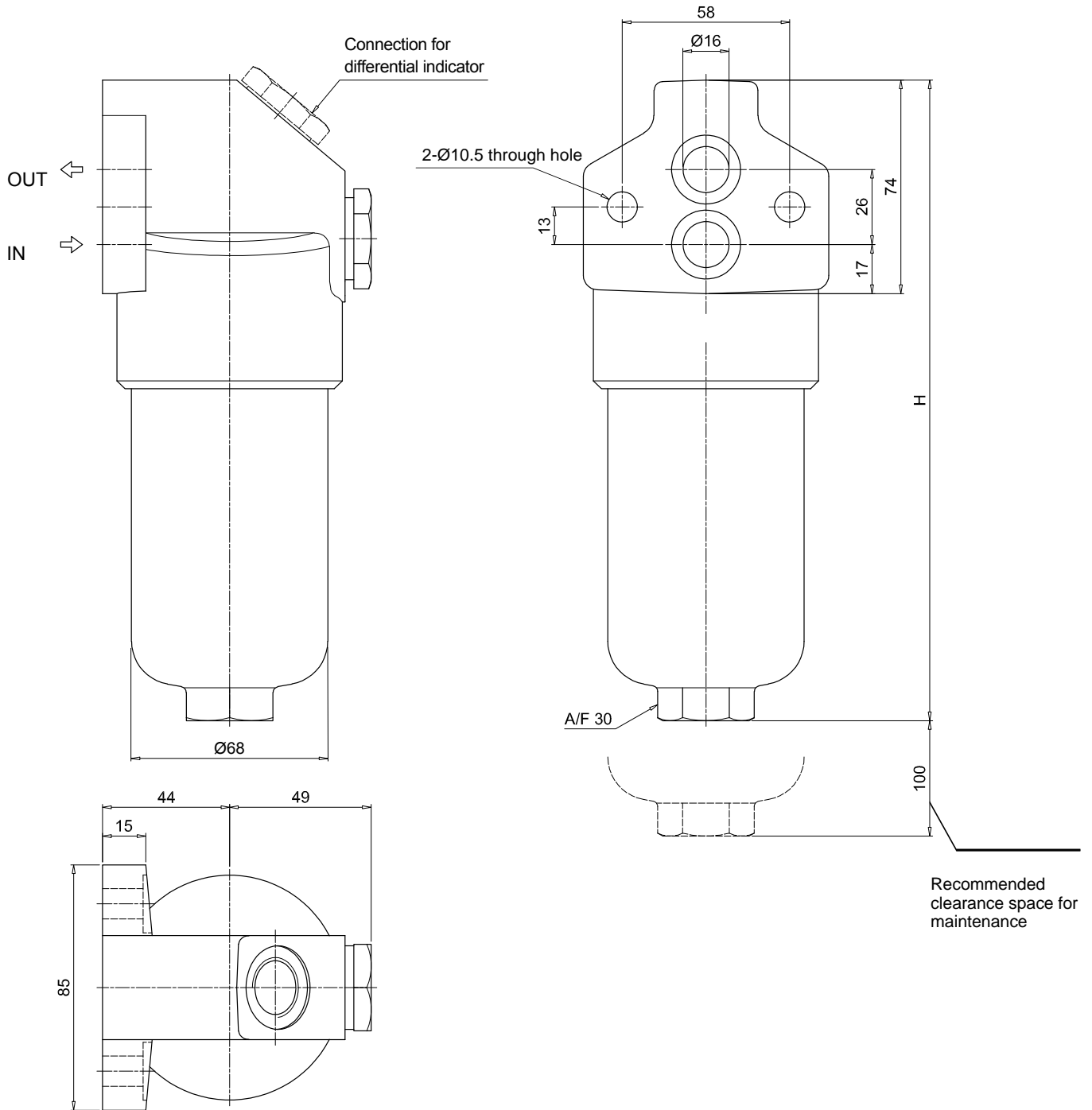




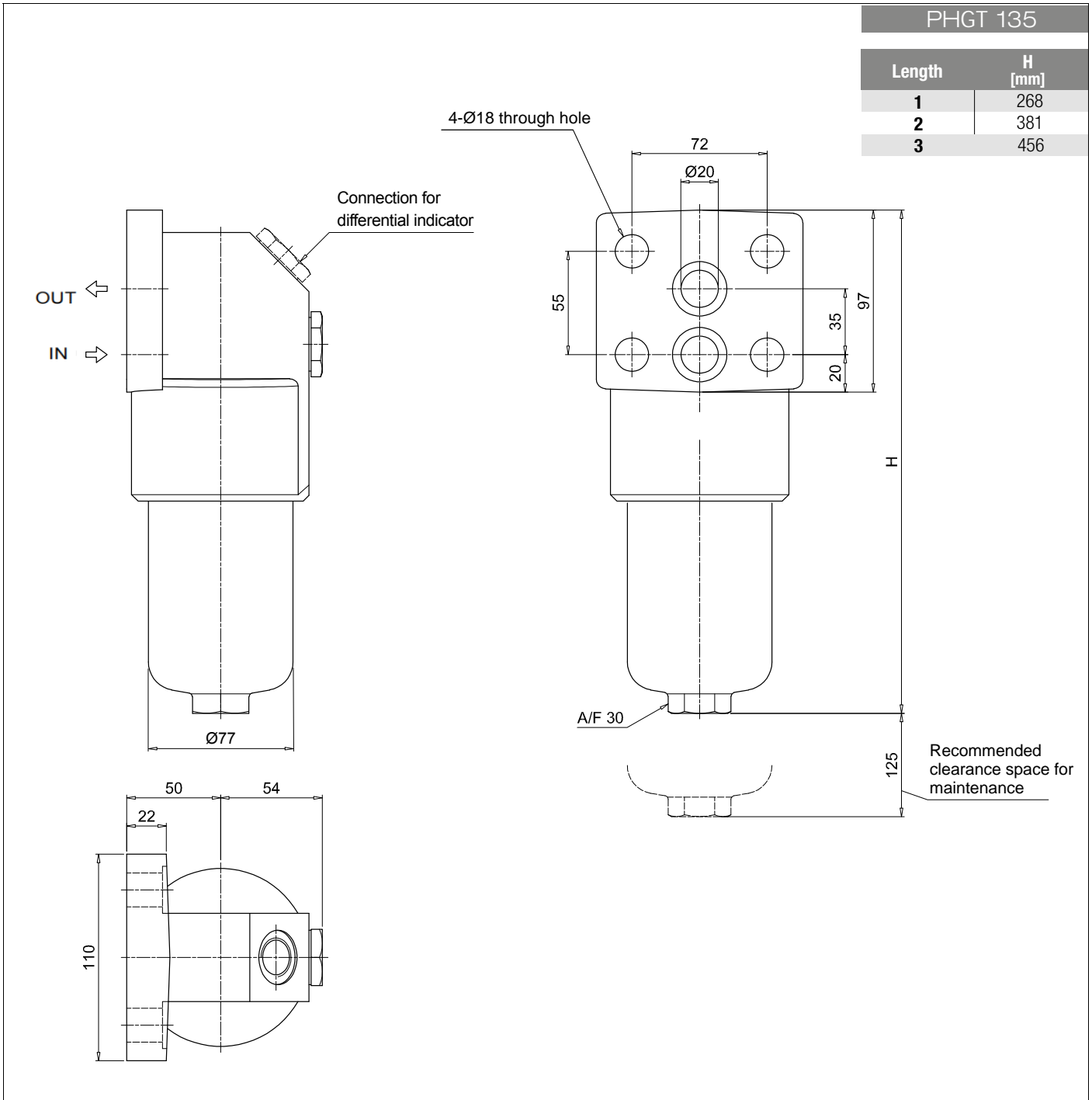
DIMENSIONS

PHGT 065

Length	H [mm]
1	194
2	225
3	327



DIMENSIONS



DIMENSIONS

PHGT 320

Length	H [mm]
1	301
2	424
3	556
4	709

