

PHGJ Series

DESCRIPTION

High pressure filter

Connection type and size:

Threaded connection: M18x1.5 M22x1.5 1/2" 3/4" 1"

Maximum flow rate up to 300 l/min

TECHNICAL PARAMETER

Maximum working pressure: 420 bar

Bypass valve opening pressure: 6 bar

Transmitter opening pressure: 5 bar

Temperature range: -25 to +110

MATERIALS

Head: Cast iron

Filter bowl: Carbon steel

Seals: NBR nitrile rubber (standard)

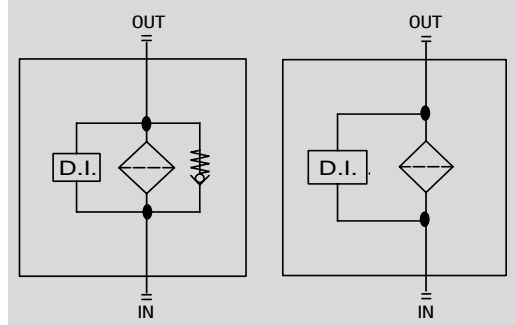
Or FKM fluororubber (customizable)

Filter element material: Fiberglass,

Stainless steel wire mesh



Hydraulic symbols



MEDIA COMPATIBILITY

Suitable for mineral oil, lubricating oil, fire-resistant oil, and rapidly biodegradable media.
(If used for water-based or special media, please consult our sales department.)

Weights [kg] and volumes [dm³]

Filter series	Length	1	2	3	4	5	Length	1	2	3	4	5
PHGJ 050		3.11	3.48	3.90	4.36	5.54		0.34	0.48	0.63	0.81	1.23
PHGJ 150		7.50	9.50	10.90	-	-		0.60	1.00	1.25	-	-

FILTER ASSEMBLY SIZING

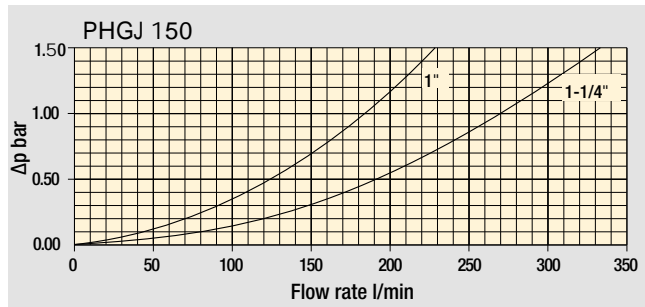
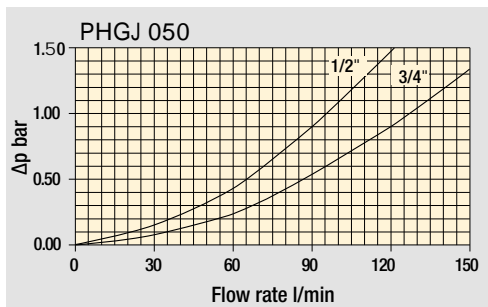
Flow rates (l/min)

Filter series	Length	Filter element design - F series					Wseries
		F03	F05	F10	F20	F30	W25
PHGJ 050	1	42	43	79	82	106	147
	2	52	57	85	96	121	149
	3	66	69	97	106	130	150
	4	83	89	113	115	134	152
	5	107	110	130	134	141	154
PHGJ 150	1	81	88	156	163	179	295
	2	142	145	227	230	236	312
	3	170	180	242	245	263	315

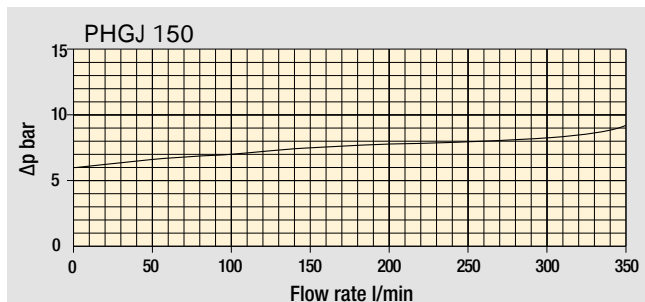
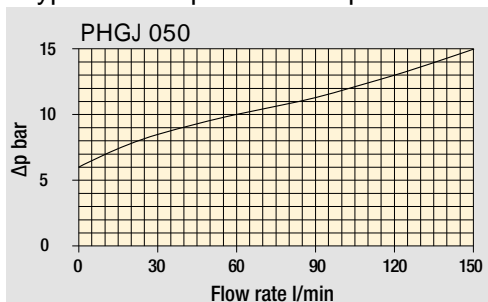
Maximum flow rate for a complete return filter with a pressure drop $\Delta p = 1.5$ bar.
 The reference fluid has a kinematic viscosity of 30 mm²/s (cSt) and a density of 0.86 kg/dm³.

The curves are plotted using mineral oil with density of 0.86 kg/dm³ in compliance with ISO 3968 Δp varies proportionally with density.

Filter housings Δp pressure drop



Bypass valve pressure drop





Ordering Options Table

PHGJ 050 3 G2 F 10 N A B 1

Filter type

Filter specification

050 150

Length

1 2 3 4 5

Connection type and size

Type	Connection	Filter specification	
		050	150
M1	M18x1.5	●	-
M2	M22x1.5	●	-
G1	G 1/2"	●	-
G2	G 3/4"	●	-
G3	G 1"	-	●
G4	G1-1/4"	-	●

Filter element material

F: Fiberglass
W: Stainless steel wire mesh

Filter fineness(μm)

F: 03 05 10 20 30
W: 25 60 90

Seals

N: NBR V: FKM

Differential pressure transmitter

A: Steel blanking plug in indicator port
B: Visual (Automatic reset)
BM: Visual (Manual reset)
C: Electrical indicator
CM: Visual and electrical indicators
CL: Visual and electrical indicators
D: Electrical indicator
DM: Electrical indicator Plug DT 04-2P

Bypass valve opening pressure

S = Without
B = 6 bar

Mounting position of differential pressure transmitter

1 = Upwards
2 = Preferably vertical

Filter Element

PYGJ 050 3 F 10 N

Filter element type

Filter element specification

050 150

Length

1 2 3 4 5

Filter element material

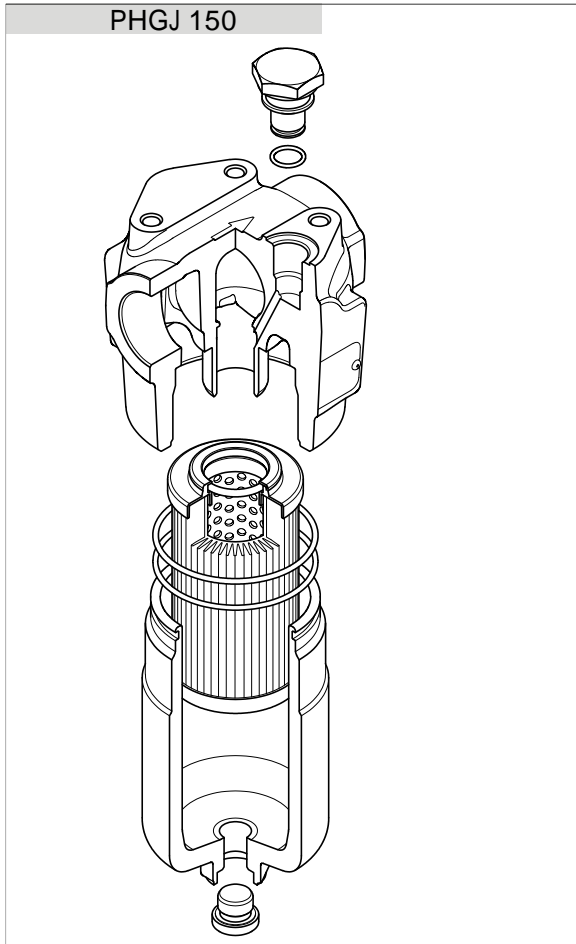
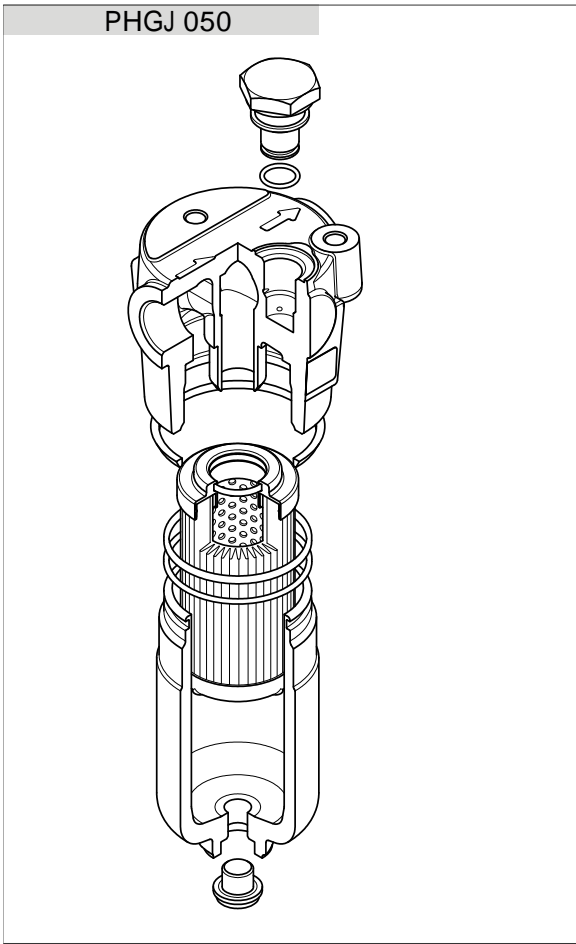
F: Fiberglass
W: Stainless steel wire mesh

Filter fineness(μm)

F: 03 05 10 20 30
W: 25 60 90

Seals

N: NBR V: FKM

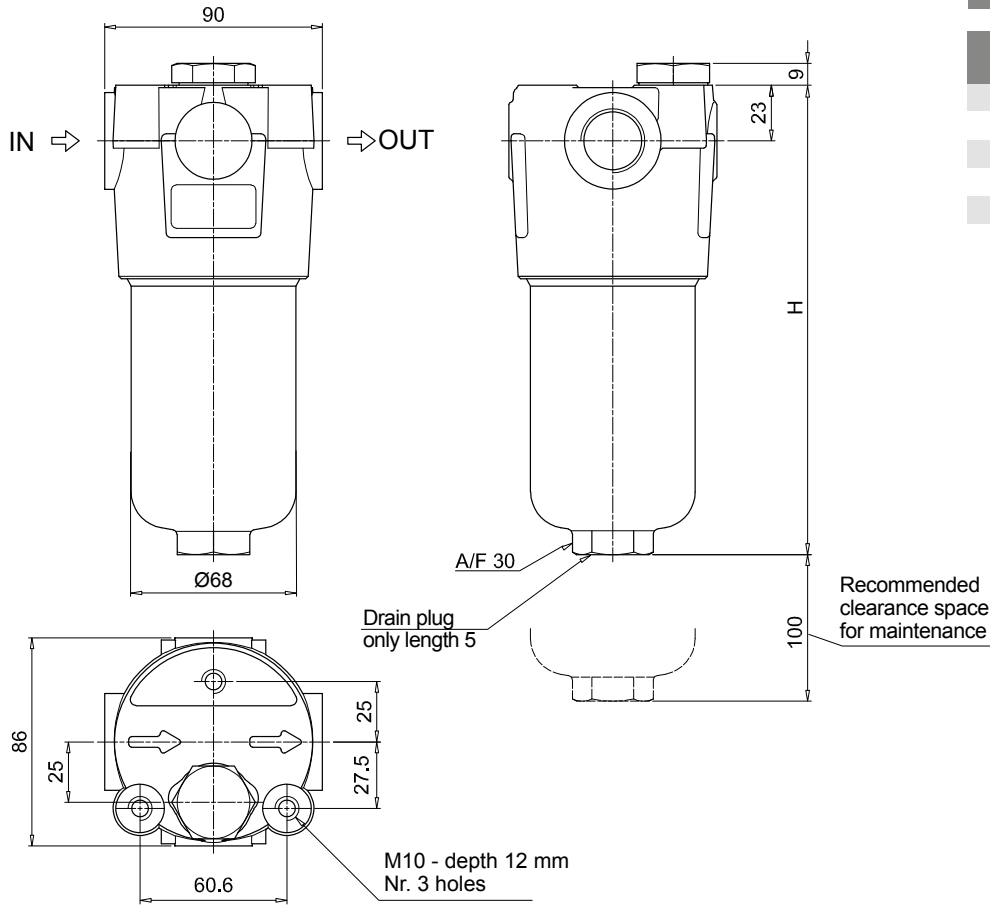




DIMENSIONS

PHGJ 050

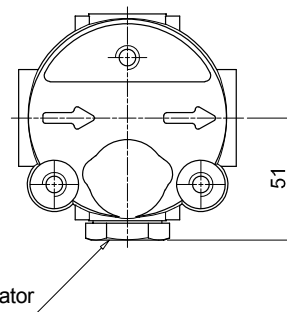
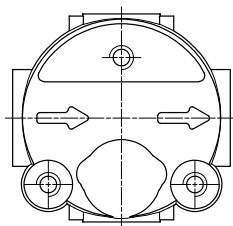
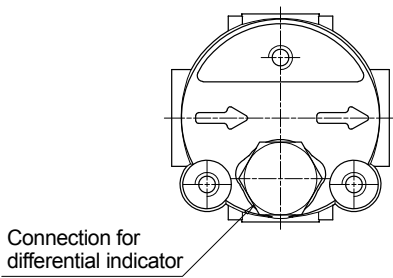
Length	H [mm]
1	158
2	195
3	237
4	285
5	407



Option 1

Option 2

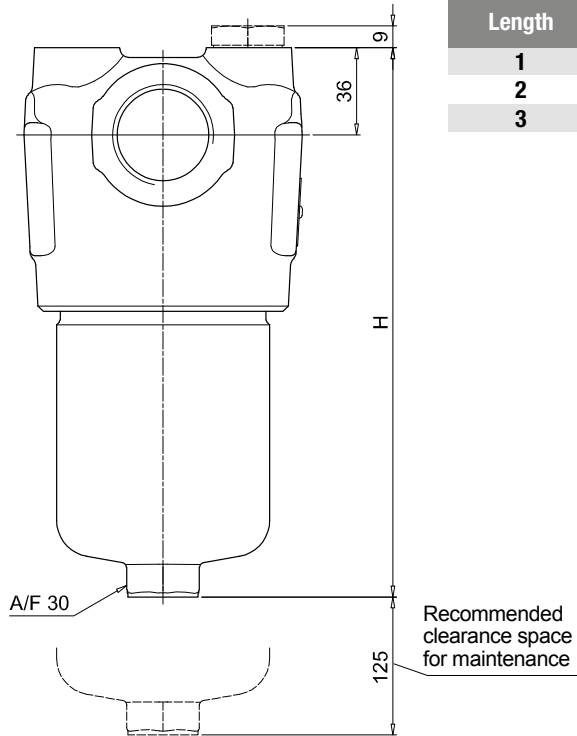
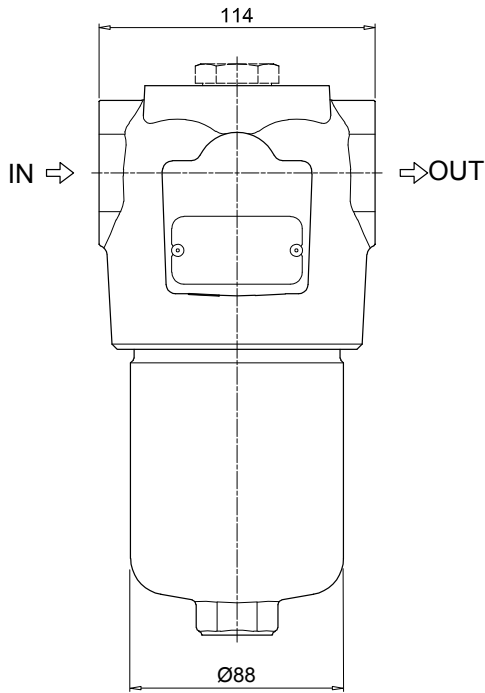
Option 3



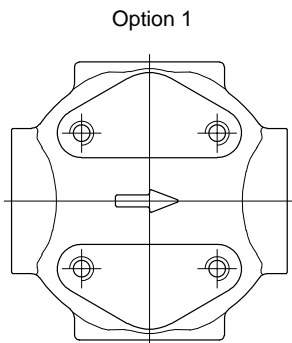
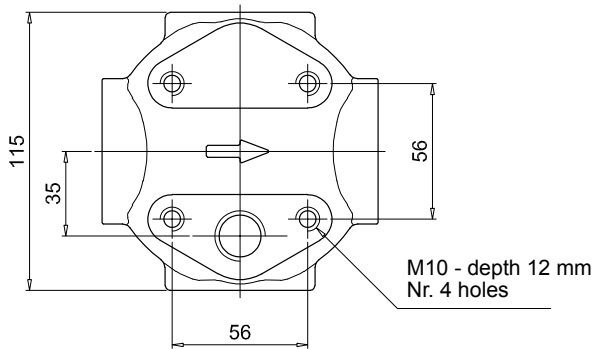
DIMENSIONS

PHGJ 150

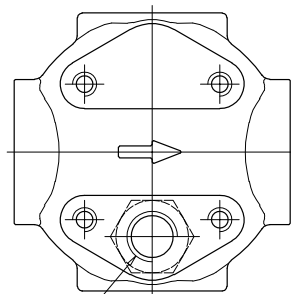
Length	H [mm]
1	230
2	340
3	415



Recommended clearance space for maintenance

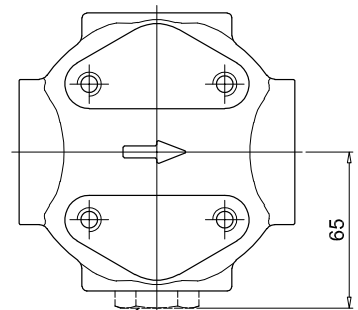


Option 1



Option 2

Connection for differential indicator



Option 3

Connection for differential indicator