

PHGH Series

DESCRIPTION

High pressure filter

Connection type and size:

Threaded connection: 1/2" 3/4" 1" 1-1/4" 1-1/2" 2"

SAE Flange connection: 3/4" 1" 1-1/4" 1-1/2" 2"

Maximum flow rate up to 630 l/min

TECHNICAL PARAMETER

Maximum working pressure: 420 bar

Bypass valve opening pressure: 6 bar

Transmitter opening pressure: 5 bar

Temperature range: -25 to +110

MATERIALS

Head : Cast iron

Filter bowl: Carbon steel

Seals: NBR nitrile rubber (standard)

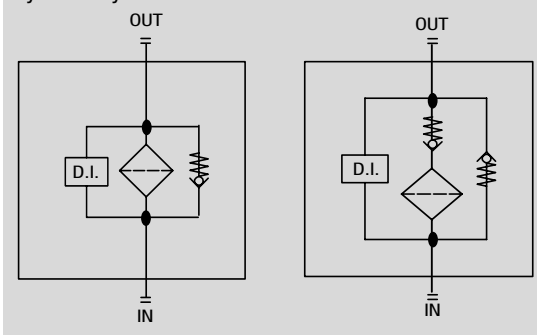
Or FKM fluororubber (customizable)

Filter element material: Fiberglass,

Stainless steel wire mesh



Hydraulic symbols



MEDIA COMPATIBILITY

Suitable for mineral oil, lubricating oil, fire-resistant oil, and rapidly biodegradable media.
(If used for water-based or special media, please consult our sales department.)

Weights [kg] and volumes [dm³]

Filter series	Weights [kg]					Volumes [dm ³]						
	Length	1	2	3	4	5	Length	1	2	3	4	5
PHGH 065		4.26	4.62	5.83	-	-		0.25	0.30	0.50	-	-
PHGH 135		7.11	8.71	9.76	-	-		0.43	0.76	0.97	-	-
PHGH 350		13.95	16.08	18.37	20.85	-		1.00	1.72	2.49	3.32	-
PHGH 500		27.00	31.17	34.69	46.70	52.5		1.71	2.43	3.04	5.18	6.51

FILTER ASSEMBLY SIZING

Flow rates (l/min)

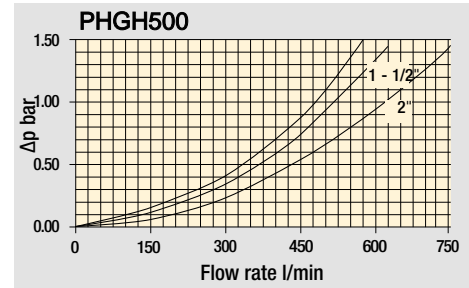
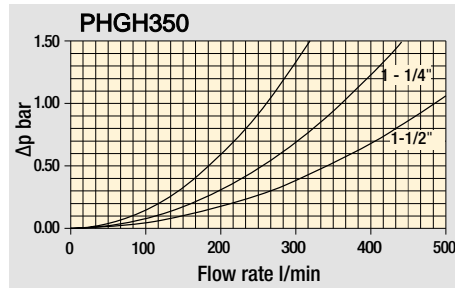
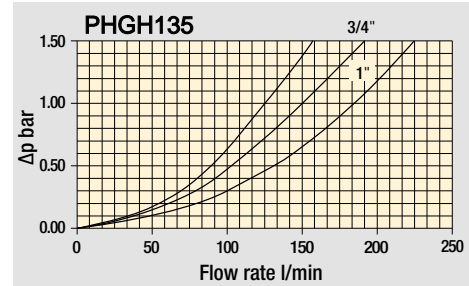
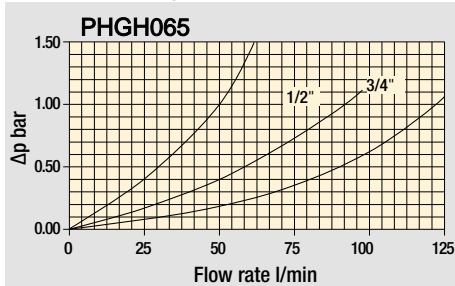
Filter series	Length	Filter element design - F series					W series
		F03	F05	F10	F20	F30	W25
PHGH 065	1	25	33	56	63	90	142
	2	34	52	72	79	106	143
	3	61	73	101	108	125	147
PHGH 135	1	67	72	115	122	159	184
	2	105	111	140	142	192	209
	3	141	143	176	179	193	211
PHGH 350	1	127	140	234	282	343	451
	2	256	278	394	415	465	480
	3	331	370	450	466	475	490
	4	369	393	456	474	495	503
PHGH 500	1	269	305	390	406	444	612
	2	321	357	433	441	484	619
	3	396	416	497	499	537	622
	4	430	475	516	524	545	626
	5	475	493	535	545	569	627

Maximum flow rate for a complete return filter with a pressure drop $\Delta p = 1.5$ bar.
 The reference fluid has a kinematic viscosity of 30 mm²/s (cSt) and a density of 0.86 kg/dm³.

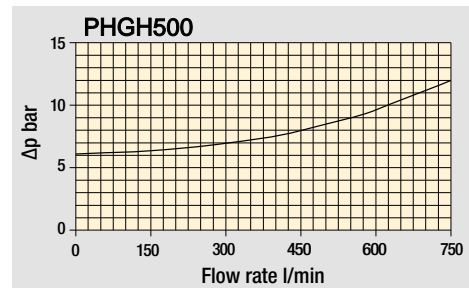
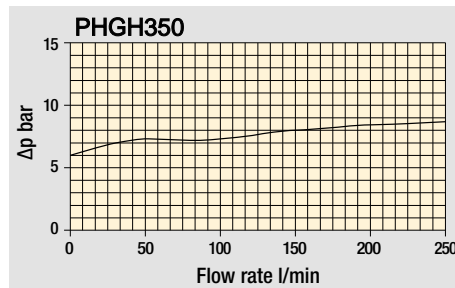
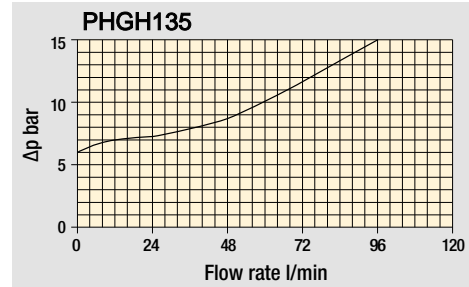
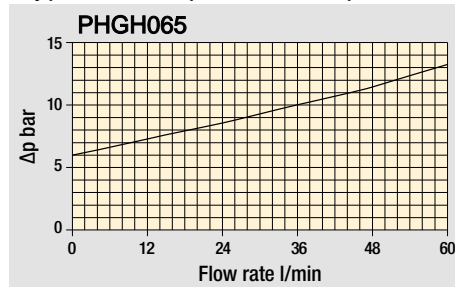


The curves are plotted using mineral oil with density of 0.86 kg/dm³ in compliance with ISO 3968 Δp varies proportionally with density.

Filter housings Δp pressure drop



Bypass valve pressure drop



Ordering Options Table

PHGH 135 2 G3 F 10 N A B6

Filter type

Filter specification

065 135 350 500

Length

1 2 3 4 5

Connection type and size

Type	Connection	Filter specification			
		065	135	350	500
G1	G 1/2"	●	-	-	-
G2	G 3/4"	●	●	-	-
G3	G 1"	-	●	-	-
G4	G1-1/4"	-	-	-	-
G5	G1-1/2"	-	-	●	-
G6	G 2"	-	-	-	-
F1	SAE 3/4"	-	●	-	-
F2	SAE 1"	-	●	-	-
F3	SAE 1 - 1/4"	-	-	●	-
F4	SAE 1 - 1/2"	-	-	●	●
F5	SAE 2"	-	-	-	●

Filter element material

F: Fiberglass
W: Stainless steel wire mesh

Filter fineness(μm)

F: 03 05 10 20 30
W: 25 60 90

Seals

N: NBR V: FKM

Differential pressure transmitter

A: Steel blanking plug in indicator port
A: Visual (Automatic reset)
BM: Visual (Manual reset)
C: Electrical indicator
CM: Visual and electrical indicators
CL: Visual and electrical indicators
D: Electrical indicator
DM: Electrical indicator Plug DT 04-2P

Bypass valve opening pressure

B0 = Without
B6 = 6 bar



Filter Element

PYGH 135 2 F 10 N

Filter element type

Filter element specification

065 135 350 500

Length

1 2 3 4 5

Filter element material

F: Fiberglass
W: Stainless steel wire mesh

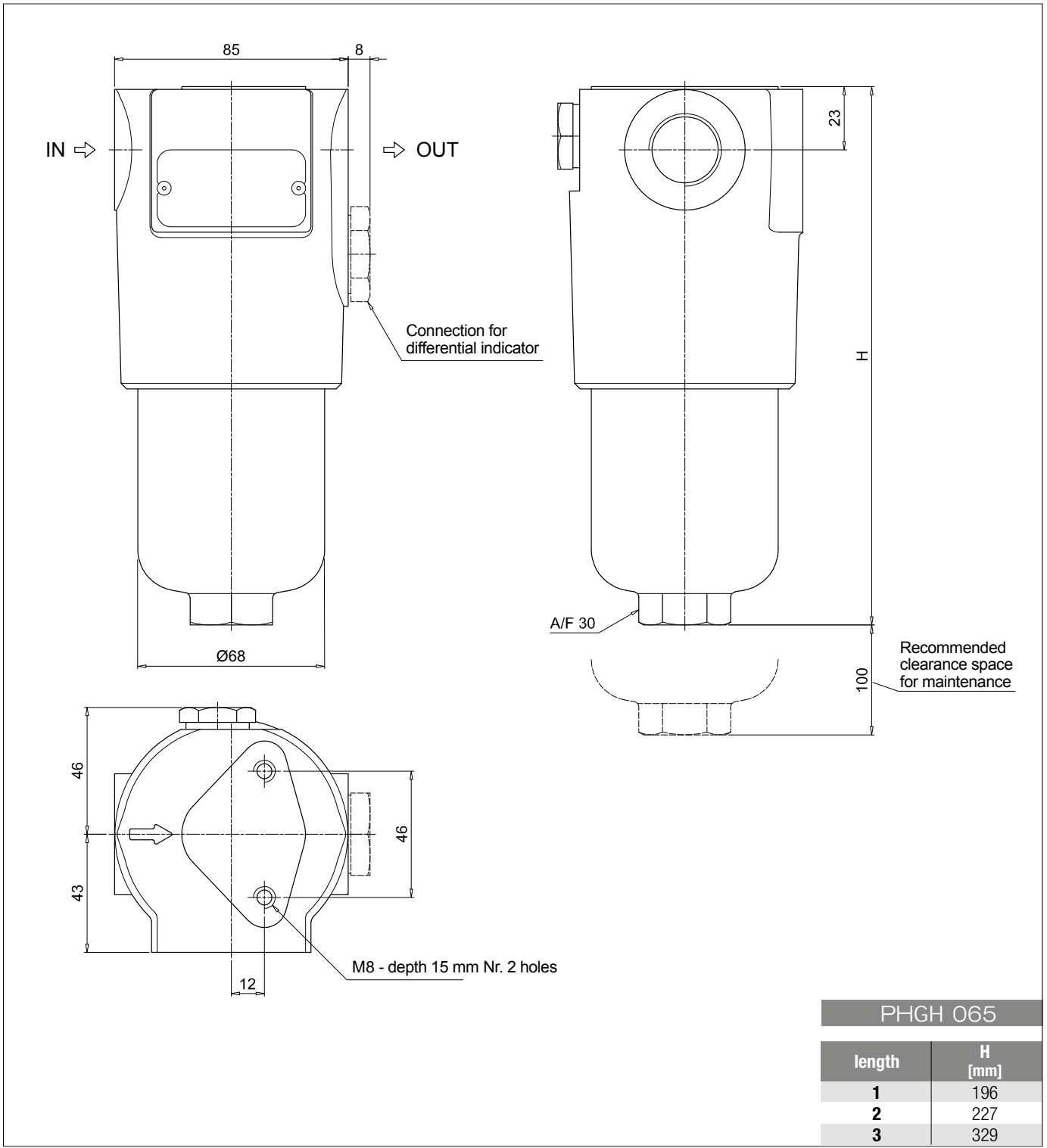
Filter fineness(μm)

F: 03 05 10 20 30
W: 25 60 90

Seals

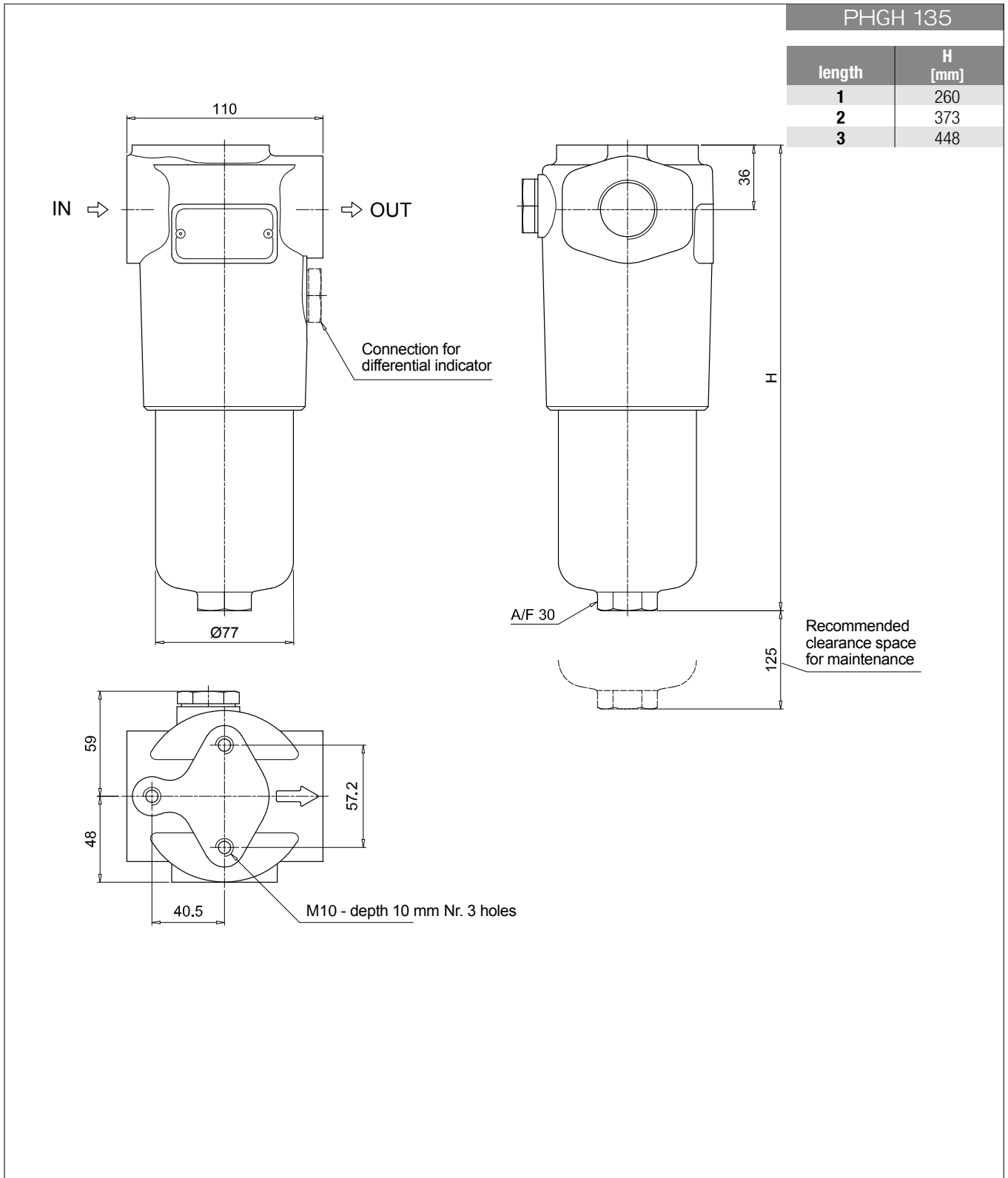
N: NBR V: FKM

DIMENSIONS

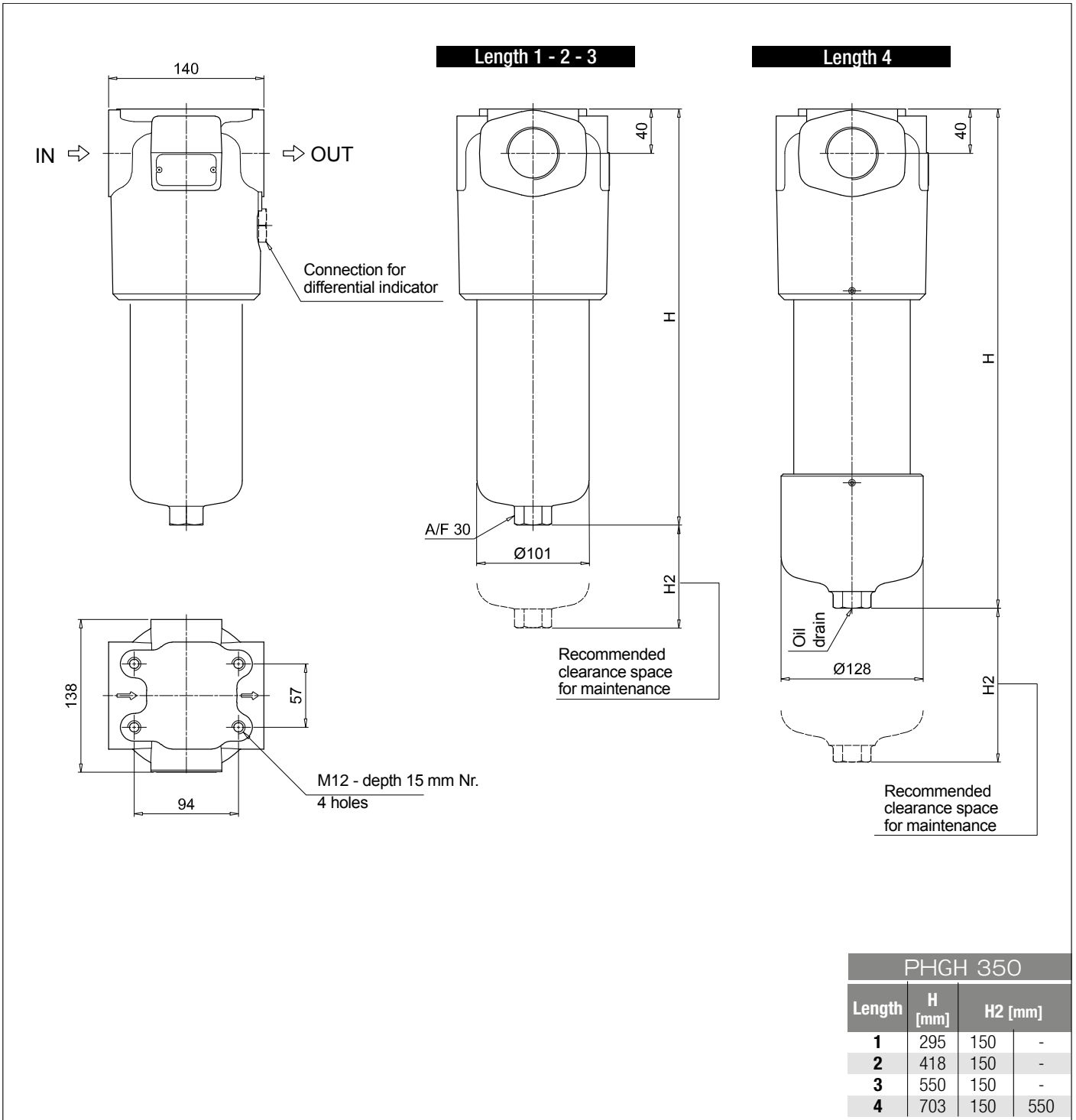


PHGH 065	
length	H [mm]
1	196
2	227
3	329

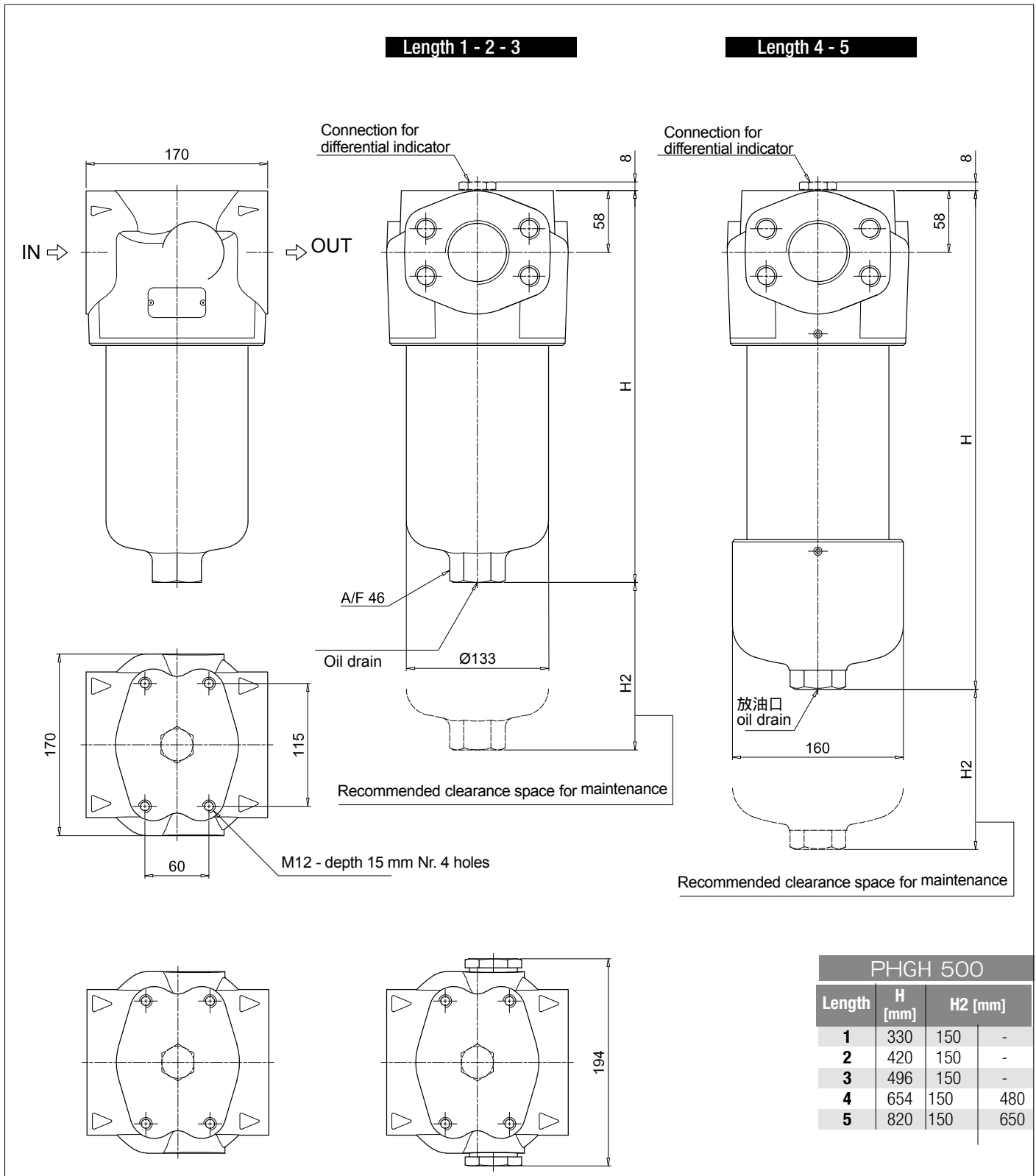
DIMENSIONS



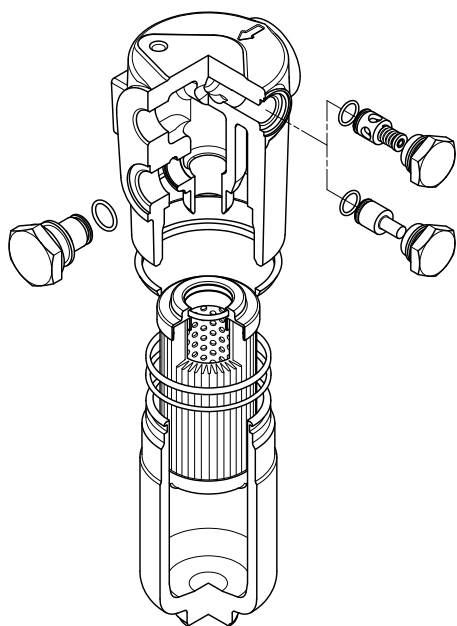
DIMENSIONS



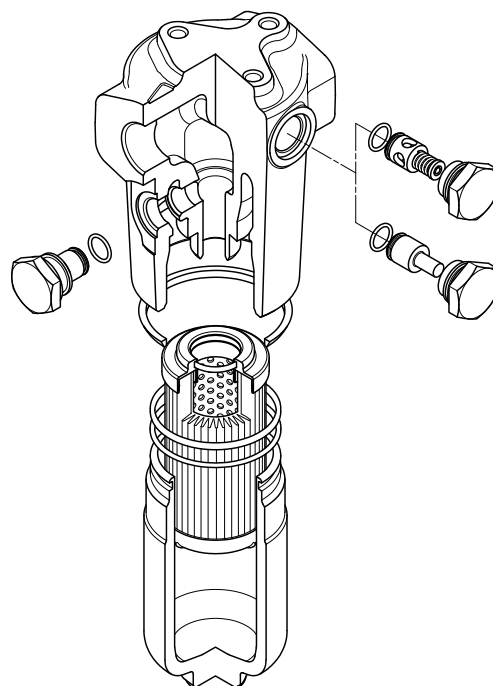
DIMENSIONS



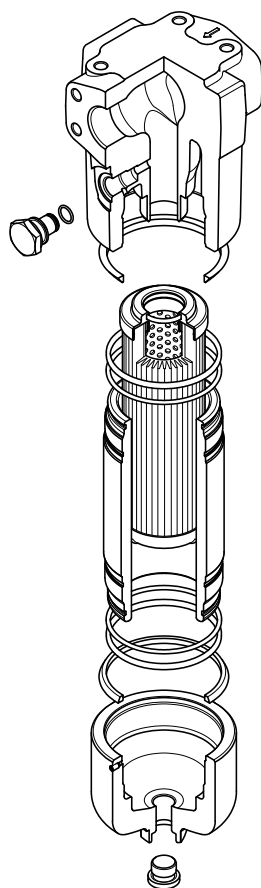
PHGH 065



PHGH 135



PHGH 350



PHGH 500

