

EHGQ Series

● DESCRIPTION

High pressure filter

Connection type and size:

BSP Threaded connection: G1" G1¼" G1½"

SAE Flange connection: 1" 1¼" 1½"

Top panel connection: K-type

Side panel connection: S-type

Maximum flow rate up to 560 l/min



Huayu E

● TECHNICAL PARAMETER

Maximum working pressure: 414 bar

Bypass valve opening pressure: 3.4 bar

Transmitter opening pressure: 2.4 bar

Temperature range: -29 to +120

● MATERIALS

Head: Cast iron

Filter bowl: Carbon steel

Seals: NBR nitrile rubber (standard)

Or FKM fluororubber (customizable)

Filter element material: Fiberglass



● MEDIA COMPATIBILITY

Suitable for mineral oil, lubricating oil, fire-resistant oil, and rapidly biodegradable media.
(If used for water-based or special media, please consult our sales department.)

Ordering Options Table

EHGQ 9661 G16 08 12 N B B 0

Filter type

Filter specification

Type	Collapse pressure difference
9660	20 bar (Standard)
9661	210 bar (High pressure difference)
9664	10 bar (No "core" shaft filter element)

Connection type and size

Type	Connection	Filter size			
		08	13	20	40
C16	BSP 1"	●	●	●	●
G16	SAE 1"	●	●	●	●
C20	BSP 1 ¼"	●	●	●	●
G20	SAE 1 ¼"	●	●	●	●
C24	BSP 1 ½"	●	●	●	●
G24	SAE 1 ½"	●	●	●	●
K24	Top panel 1 ½"	●	●	●	●
S24	Side panel 1 ½"	●	●	●	●

G is an SAE split flange with metric fixing bolts, and the standard pressure is 420 Bar.

Filter element length

04" 08" 13" 16"

Filter fineness(μm)

3 5 7 12 25

Seals

N: NBR V: FKM

Bypass valve opening pressure

B = 3.4 bar

N = Without bypass valve

Differential pressure transmitter

- A: Steel blanking plug in indicator port
- EB: Visual (Automatic reset)
- E: Visual (Manual reset)
- R: Electrical indicator
- RL: Visual and electrical indicators
- M: Electrical indicator
- ML: Visual and electrical indicators

Mounting holder options

O = Omit

1 = 1 mounting holder

2 = 2 mounting holders



Filter Element

EYGQ 9661 08 12 N

Filter element type

Filter element specification

9660 9661 9664

Filter element length

04" 08" 13" 16"

Filtration fineness(μm)

3 5 7 12 25

Seals

N: NBR V: FKM

Maintenance Instructions

Filter housing must be grounded

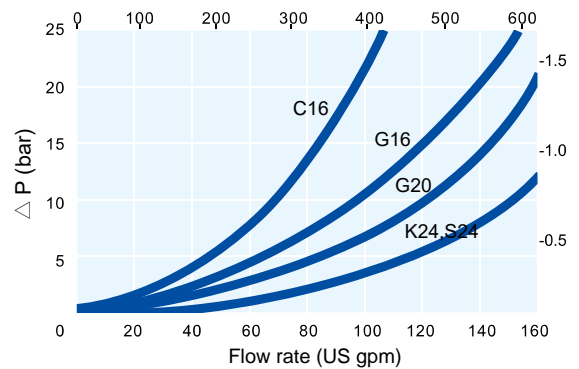
When using electric plugging, please replace the filter element.

The system must be turned off before removing the clogging indicator light and power connector.

Differential pressure information

Differential pressure of filter housing with a fluid specific gravity of 0.9.

Housing pressure drop is directly proportional to specific gravity.



Filter element pressure difference

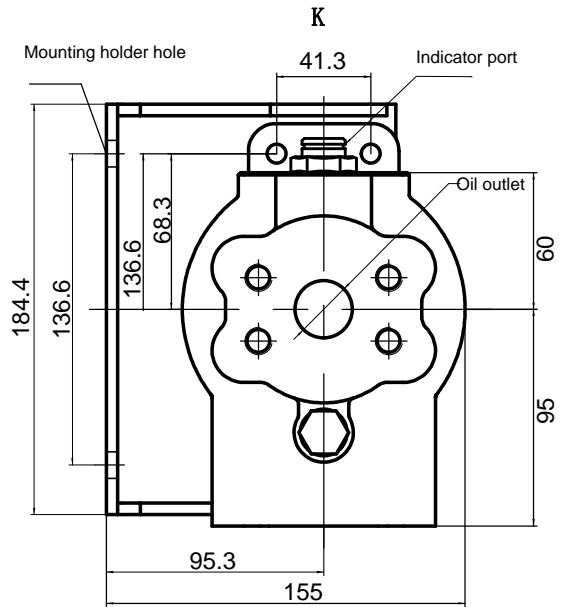
The actual flow rate is multiplied by the coefficient to obtain a filtration viscosity of 32 cSt (150 SUS). The specific gravity is 0.9. The pressure difference of the filter element when the fluid is flowing.

Note: The flow rate of the coefficient values in the table is 1000 l/min or 1 US gpm.

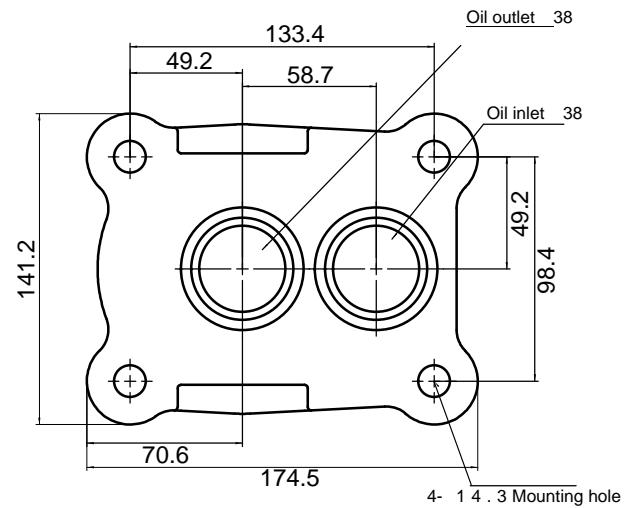
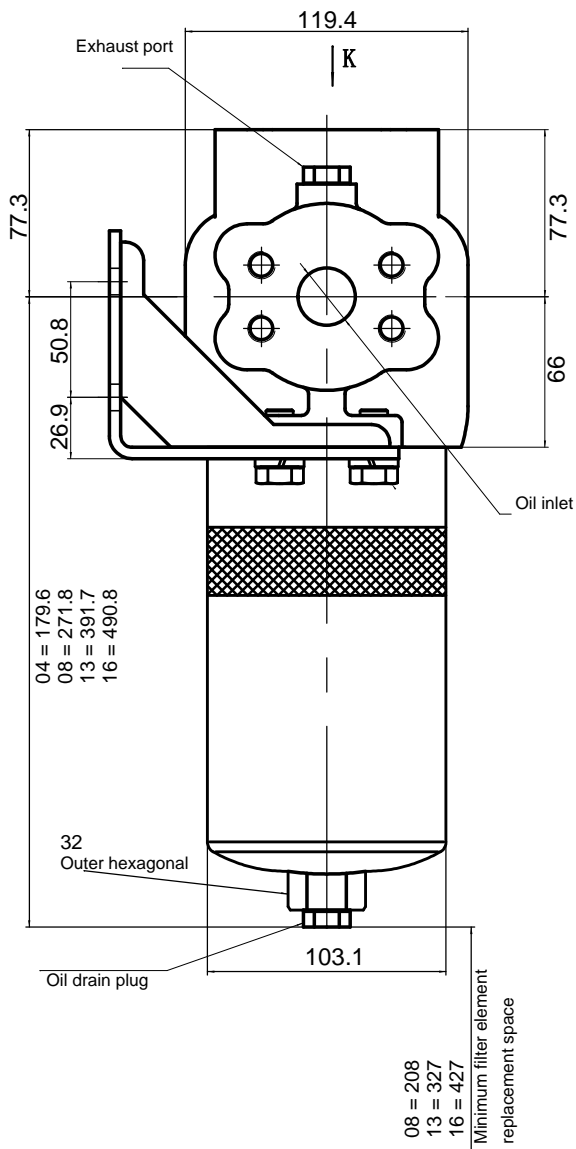
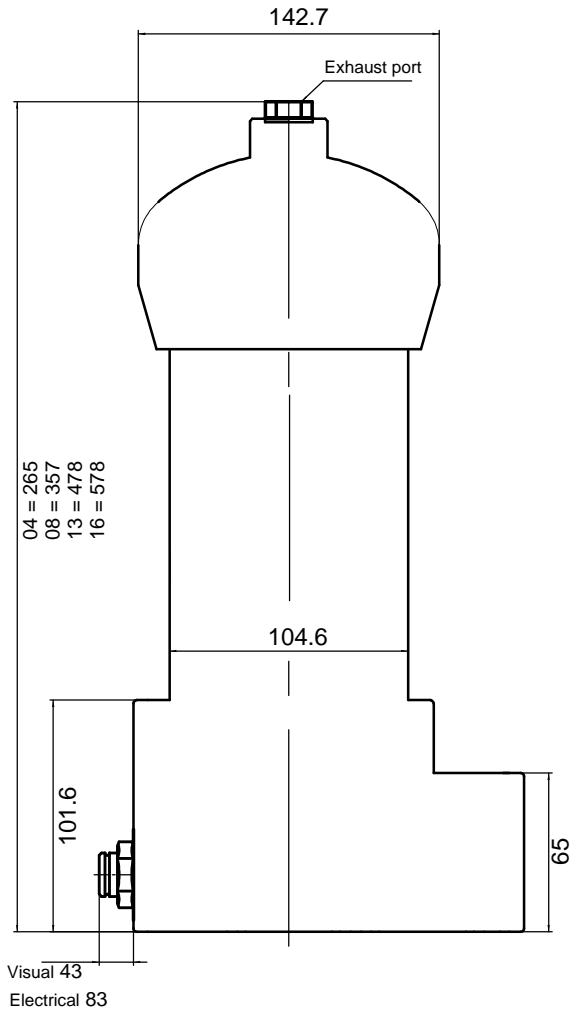
9660-9664 Series Filter Elements —bar/1000 l/min (psid/US gpm)

Length	3	5	7	12	22
04	11.96	6.18	4.44	3.24	2.29
08	6.11	3.14	2.29	1.70	1.19
13	3.74	1.93	1.41	1.03	0.73
16	2.84	1.46	1.07	0.78	0.55

DIMENSIONS



Top panel connection: K-type





Side panel connection: S-type

