

DHSV Series

● DESCRIPTION

Duplex bowls line filter

Connection type and size:

SAE Flange connection: DN40 DN50 DN65 DN80 DN100

DIN Flange connection: DN80 DN100 DN125 DN150 DN200

Switch type: Stainless steel balls

Maximum flow rate up to 15000 l/min

● TECHNICAL PARAMETER

Maximum working pressure: 16 bar

Bypass valve opening pressure: 3 bar

Transmitter opening pressure: 2 bar

Temperature range: -10 to +100



● MATERIALS

Filter cover: Carbon steel

Filter cartridge: Carbon steel

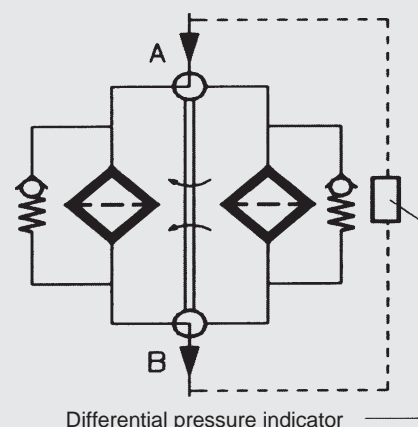
Steering valve: Cast iron

Seals: NBR nitrile rubber (standard)

Or FKM fluororubber (customizable)

Filter element material: Fiberglass and wire mesh

Symbol for hydraulic systems



● MEDIA COMPATIBILITY

Suitable for mineral oil, lubricating oil, fire-resistant oil, and rapidly biodegradable media.
(If used for water-based or special media, please consult our sales department.)

Ordering Options Table

DHSV 2520 T F 10 N D B3

Filter model

Filter specification

1300 1320 2500 2520 4000 4020 5200
5220 6500 6520 7800 7820 15000 15020

Connection type and size

Type	Connection port	Filter size							
		1300	1320	2500 2520	4000 4020	5200 5220	6500 6520	7800 7820	15000 15020
K	SAE DN 40	●	●						
L	SAE DN 50	●	●	●					
M	SAE DN 65	●	●	●					
S	SAE/DIN DN 80	●	●	●	●	●	●		
T	SAE/DIN DN 100	●	●	●	●	●	●	●	
U	DIN DN 125	●	●	●	●	●	●	●	
V	DIN DN 150			●	●	●	●	●	
W	DIN DN 200				●	●	●	●	●

Filter element material

F: Fiberglass
W: Stainless steel wire mesh

Filter fineness(μm)

(F): 03 05 10 20
(W): 05 10 20 20

Seals

N: NBR V: FKM

Differential pressure transmitter

A: Steel blanking plug in indicator port
B: Visual (Automatic reset)
BM: Visual (Manual reset)
C: Electrical indicator
CM: Visual and electrical indicators
CL: Visual and electrical indicators
D: Electrical indicator
DM: Electrical indicator Plug DT 04-2P

Bypass valve opening pressure

B0 = Without bypass valve
B3 = 3 bar



Filter Element

DYSV 1700 F 10 N

Filter element type

Filter element specification

0850 1300 1700 2600

Filter element material

F: Fiberglass W: Stainless steel wire mesh

Filtration fineness(μm)

(F): 03 05 10 20 (W): 05 10 20 30

Seals

N: NBR V: FKM

The number of filter elements assembled in the filter

DHSV	The model and quantity of filter elements on each side
1300	1x1300
1320	1x2600
2500	3x0850
2520	3x1700
4000	5x0850
4020	5x1700
5200	4x1300
5220	4x2600
6500	5x1300
6520	5x2600
7800	6x1300
7820	6x2600
15000	10x1300
15020	10x2600

Maintenance Instructions

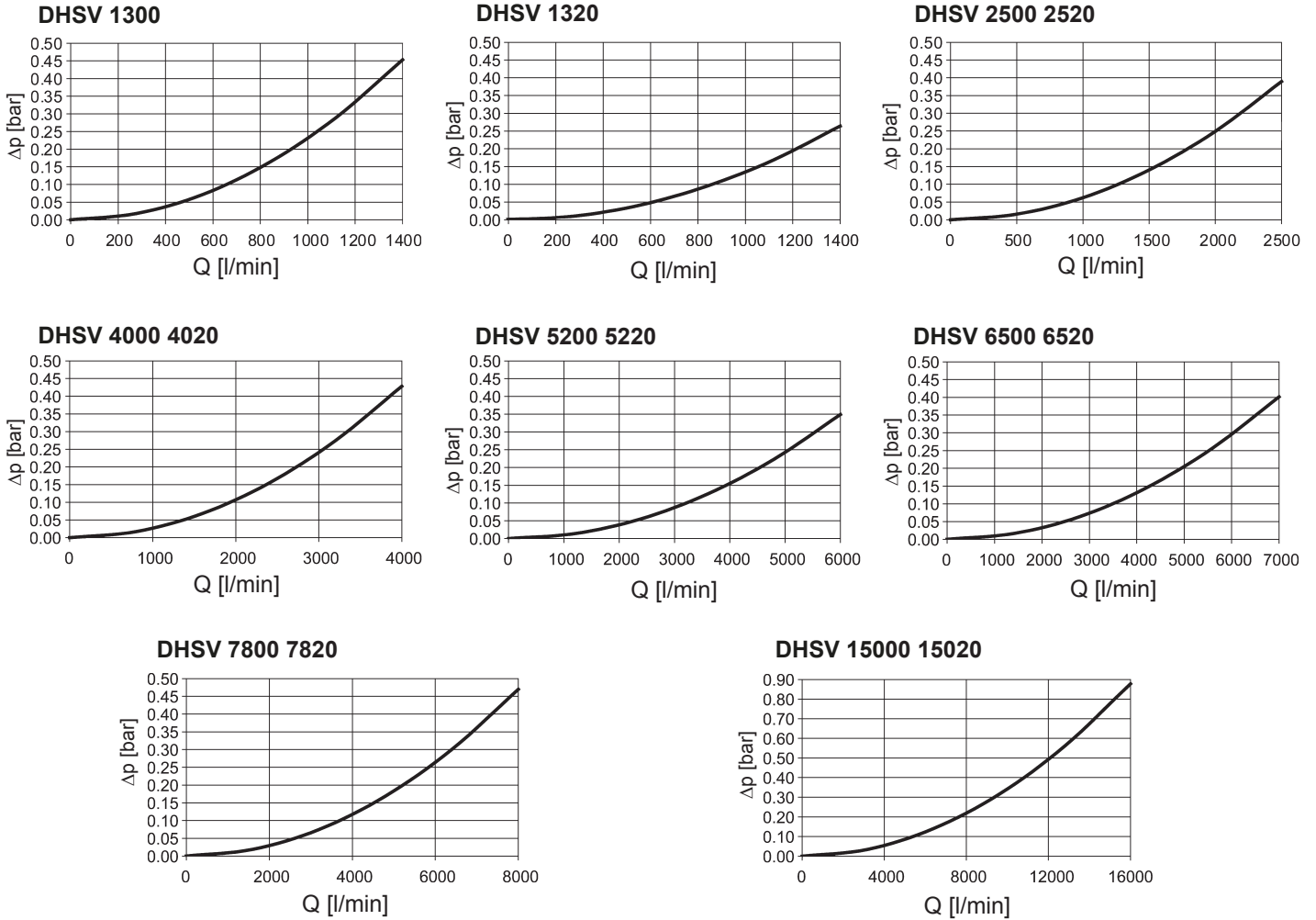
Filter housing must be grounded

When using electric plugging, please replace the filter element.

The system must be turned off before removing the clogging indicator light and power connector.

Δp -Q ISO 3968

The housing curves apply to mineral oil with a density of 0.86 kg/dm³ and a kinematic viscosity of 30 mm²/s. In this case, the differential pressure changes proportionally to the density.



GRADIENT COEFFICIENTS (SK) FOR FILTER ELEMENTS

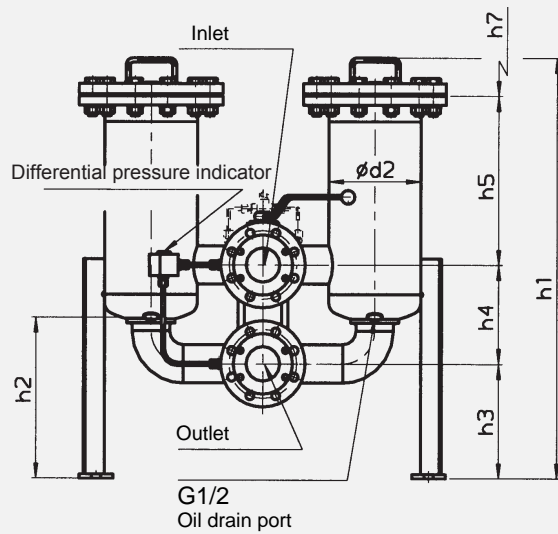
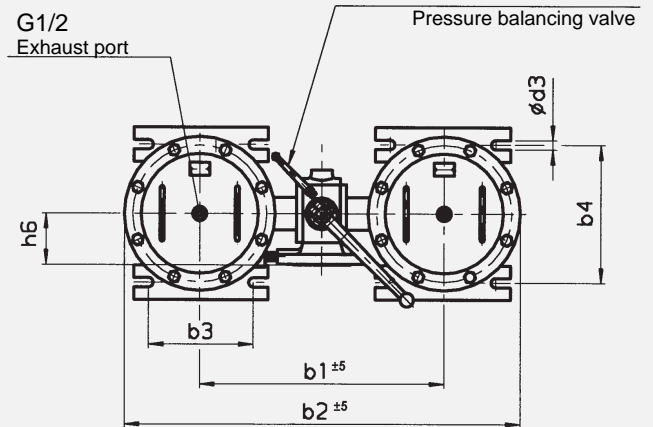
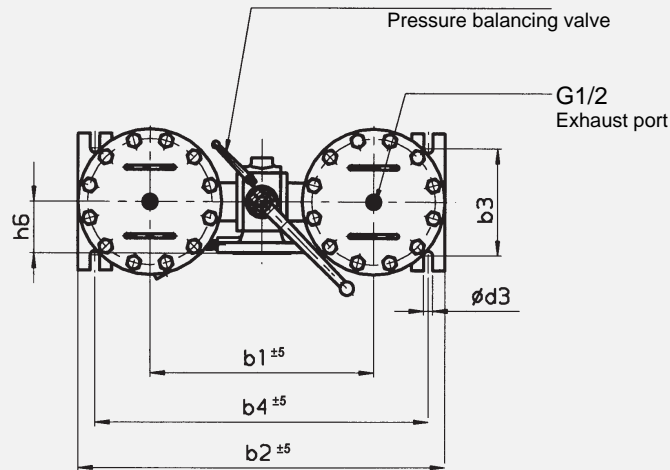
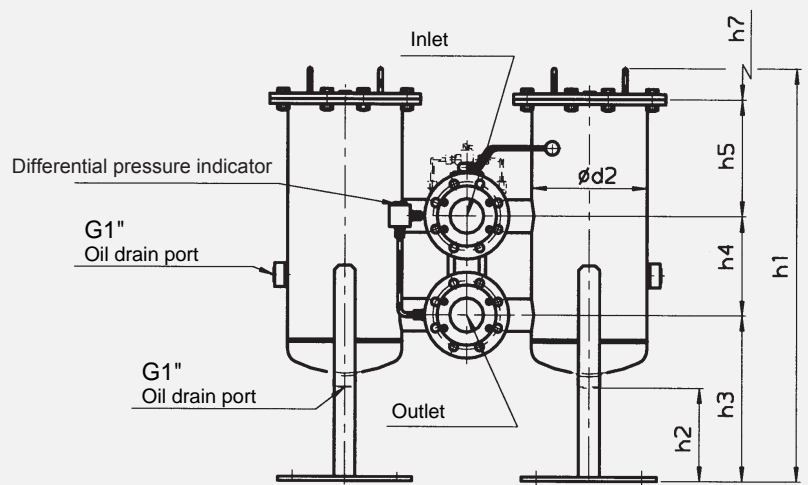
The gradient coefficients in mbar/(l/min) apply to mineral oils with a kinematic viscosity of 30 mm²/s. The pressure drop changes proportionally to the change in viscosity.

DHSV	F						W
	1 μ m	3 μ m	5 μ m	10 μ m	15 μ m	20 μ m	-
850	2.77	1.31	1.00	0.58	0.44	0.36	0.063
1300	1.72	0.72	0.59	0.35	0.32	0.22	0.045
1700	1.35	0.64	0.53	0.28	0.25	0.18	0.032
2600	0.84	0.36	0.29	0.18	0.16	0.11	0.018

Annotation

All information in this manual relates to the described working environment and application conditions. For applications and working conditions that are not described, please contact the relevant technical department. Technical modifications are possible.

DIMENSIONS

DHSV 1300 - 1320

DHSV 2500 - 2520


Dimensions in mm

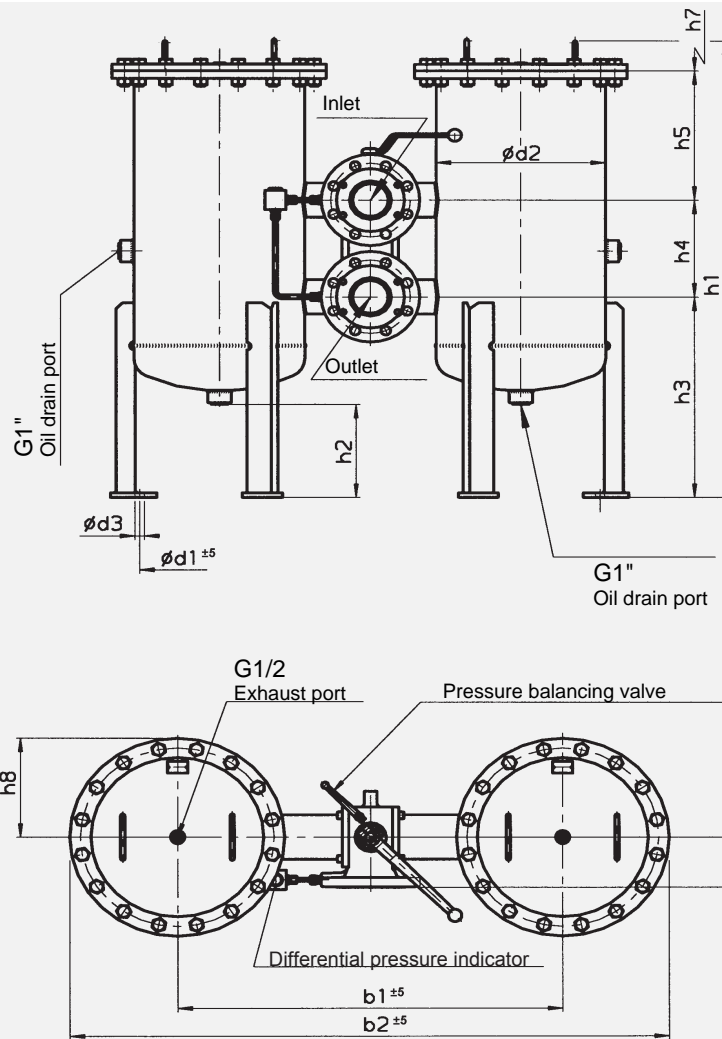
Type	Flange connection	b1	b2	b3	b4	d2	d3	h1	h2	h3	h4	h5	h6	h7
DHSV 1300 1320	SAE DN 40	495	835	250	755	220	22	970/1410	205	335	95	460/900	92	500/940
	SAE DN 50	506	846	250	766	220	22	970/1410	210	328	110	452/892	102	500/940
	SAE DN 65	506	846	250	766	220	22	970/1410	210	328	110	452/892	167	500/940
	SAE/DIN DN 80	530	870	250	790	220	22	970/1410	370	260	230	400/840	120	500/940
	SAE/DIN DN 100	588	926	250	846	220	22	970/1410	375	266	250	374/814	130	500/940
1320	DIN DN 125	603	943	250	863	220	22	1536	190	385	300	765	188	940
DHSV 2500 2520	SAE DN 50	548	908	250	312	273	22	940/1330	220	383	110	378/768	102	420/810
	SAE DN 65	548	908	250	312	273	22	940/1330	220	383	110	378/768	167	420/810
	SAE/DIN DN 80	572	932	250	312	273	22	990/1380	220	408	230	280/670	120	420/810
	SAE/DIN DN 100	588	948	250	312	273	22	990/1380	220	408	250	260/650	130	420/810
	DIN DN 125	589	948	250	312	273	22	1050/1440	220	438	300	240/630	188	420/810
	DIN DN 150	641	1001	250	312	273	22	1050/1440	220	438	300	240/630	190	420/810

Flange connection SAE J 518 C (standard pressure series 3000 psi)

DIN flange connection to DIN EN ISO 1092, PN25/40 up to DN100 and PN 16 from DN125

DIMENSIONS

DHSV 4000 - 15020



Dimensions in mm

Type	Flange connection	b1	b2	d1	d2	d3	h1	h2	h3	h4	h5	h6	h7	h8
DHSV 4000 4020	SAE/DIN DN 80	688	1152	330	356	22	1080/1470	260	475	230	295/685	120	420/810	230
	SAE/DIN DN 100	704	1164	330	356	22	1080/1470	260	475	250	275/665	130	420/810	230
	DIN DN 125	723	1183	330	356	22	1170/1560	260	525	300	265/645	188	420/810	230
	DIN DN 150	775	1240	330	356	22	1170/1560	260	525	300	265/645	190	420/810	230
	DIN DN 200	884	1349	330	356	22	1205/1585	260	525	500	215/480	270	420/810	230
DHSV 5200 5220	SAE/DIN DN 80	728	1244	380	406	22	1144/1584	250	465	230	371/811	120	500/940	255
	SAE/DIN DN 100	744	1260	380	406	22	1144/1584	250	465	250	351/791	130	500/940	255
	DIN DN 125	763	1275	380	406	22	1256/1696	250	525	300	351/791	188	500/940	255
	DIN DN 150	815	1330	380	406	22	1256/1696	250	525	300	351/791	190	500/940	255
	DIN DN 200	924	1439	380	406	22	1365/1696	250	525	500	260/591	270	500/940	255
DHSV 6500 6520	SAE/DIN DN 100	1024	1644	480	508	22	1260/1700	260	540	250	390/830	130	500/940	310
	DIN DN 125	863	1483	480	508	22	1260/1700	260	540	300	340/780	188	500/940	310
	DIN DN 150	915	1535	480	508	22	1260/1700	260	540	300	340/780	190	500/940	310
	DIN DN 200	1024	1644	480	508	22	1440/1830	265	600	500	260/640	270	500/940	310
DHSV 7800 7820	SAE/DIN DN 100	1024	1644	480	508	22	1260/1700	260	540	250	390/830	130	500/940	310
	DIN DN 125	863	1483	480	508	22	1260/1700	260	540	300	340/780	188	500/940	310
	DIN DN 150	915	1535	480	508	22	1260/1700	260	540	300	340/780	190	500/940	310
	DIN DN 200	1024	1644	480	508	22	1440/1830	265	600	500	260/640	270	500/940	310
DHSV 15000 15020	DIN DN 200	1284	2114	690	711	22	1505/1895	260	655	500	260/700	270	500/940	415

DIN flange connection to DIN EN ISO 1092, PN25/40 up to DN100 and PN 16 from DN125