

PHA Series

● DESCRIPTION

Air breather

PHA is a series of metal air filters used to protect storage tanks from solids in the air and to inject liquids into the system during commissioning and maintenance. They are mounted directly on the fuel tank. The rugged design allows these respirators to be used in any heavy equipment.

● AVAILABLE FEATURES

Thread connection: 1/4" 3/4"

Flange connection: 3-hole and 6-hole installation with buckle

Optional pre-pressure valve opening: 0.3, 0.7 bar

Maximum flow rate up to 550 l/min

● MATERIALS

Housing: Chrome plated steel

Filter element: Fiberglass

Flange and splash resistance characteristics: galvanized steel

Sealing element: NBR nitrile rubber

Screw & flange: galvanized steel

Chain & ring: brass

Buckle: galvanized steel

● COMMON APPLICATION

Hydraulic systems

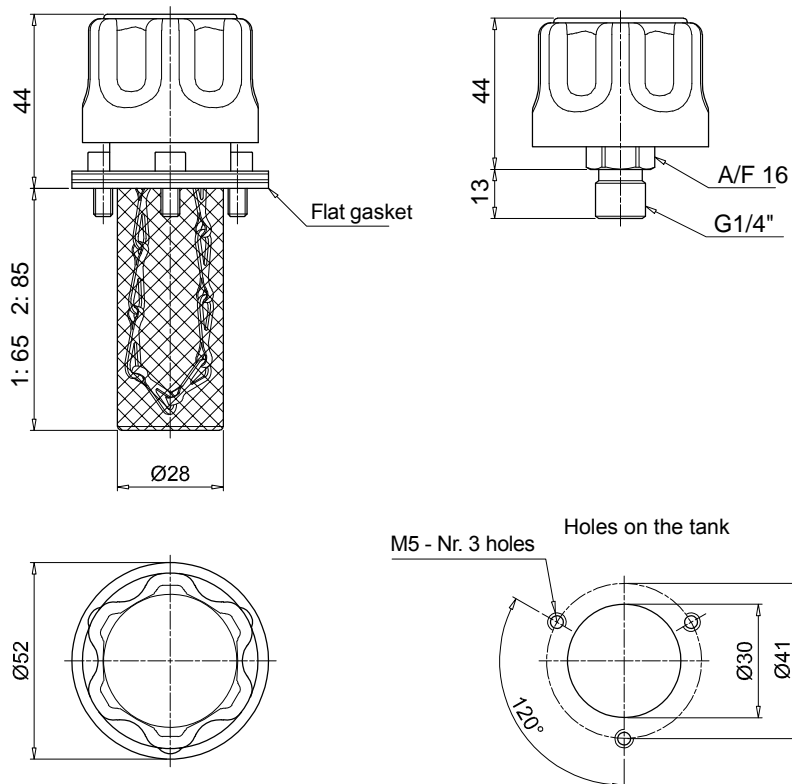
Mobile machinery

Industrial equipment



Ordering Options Table

	PHA46	F	10	N	W	2
Air filter model						
Installation type selection						
G: 1/4" Thread connection F: 3-hole with clamp, flange connection F: With buckle 3 holes, flange connection						
Filter fineness(μm)						
10 20						
Seals						
N: NBR V: FKM						
Chain selection						
W: Chainless connection T: Chain connection						
Filter screen						
0: Without Filter screen 1: With Filter screen 65mm 2: With Filter screen 85mm						



Ordering Options Table

	PHA80	F	10	N	0	T	2
Air filter model							
Installation type selection							
<ul style="list-style-type: none"> G: 3/4" Thread connection F: 6-hole with clamp, flange connection F: With buckle 6 holes, flange connection 							
Filter fineness(μm)							
10 20							
Seals							
N: NBR V: FKM							
Prepressure valve selection							
<ul style="list-style-type: none"> 0: Without valve 3: 0.3 bar pressurization valve 7: 0.7 bar pressurization valve 9: With anti-splashing feature 							
Chain selection							
<ul style="list-style-type: none"> W: Chainless connection T: Chain connection 							
Filter screen							
<ul style="list-style-type: none"> 0: Without Filter screen 1: With Filter screen 100mm 2: With Filter screen 150mm 							

