

## PHHV Series

### ● DESCRIPTION

#### Spin-on line filter

Connection type and size:

Threaded connection: 1 - 1/4" 1 - 1/2"

Maximum flow rate up to 195 l/min

### ● TECHNICAL PARAMETER

Maximum working pressure: 35 bar

Bypass valve opening pressure: 2.5 bar

Transmitter opening pressure: 1.5 bar

Temperature range: -20 to +110

### ● MATERIALS

Head: Cast iron

Filter bowl: Carbon steel

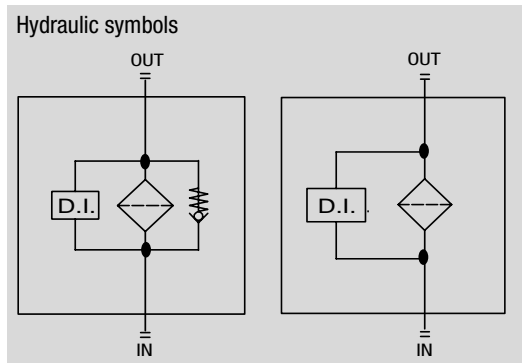
Seals: NBR nitrile rubber (standard)

FKM fluororubber (customizable)

Filter element material: Fiberglass

### ● MEDIA COMPATIBILITY

Suitable for mineral oil, lubricating oil, fire-resistant oil, and rapidly biodegradable media.  
(If used for water-based or special media, please consult our sales department.)

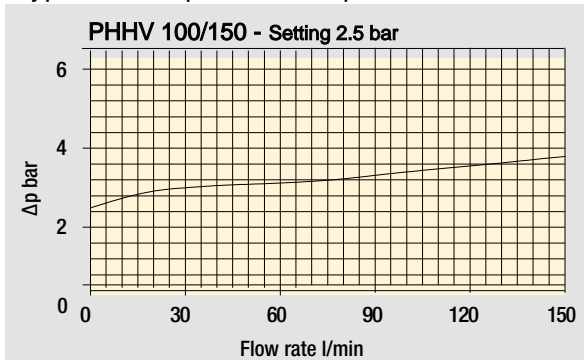


Weights [kg] and volumes [dm<sup>3</sup>]

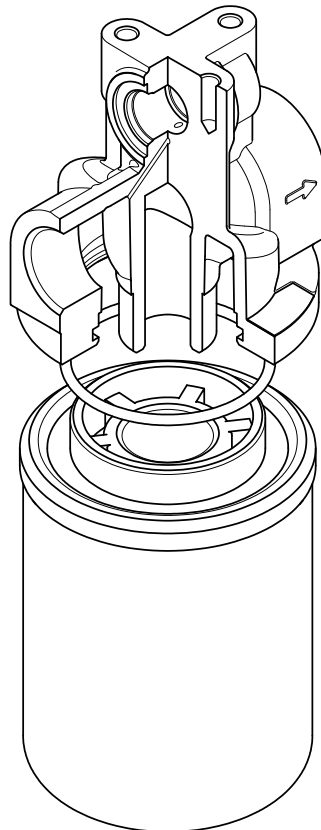
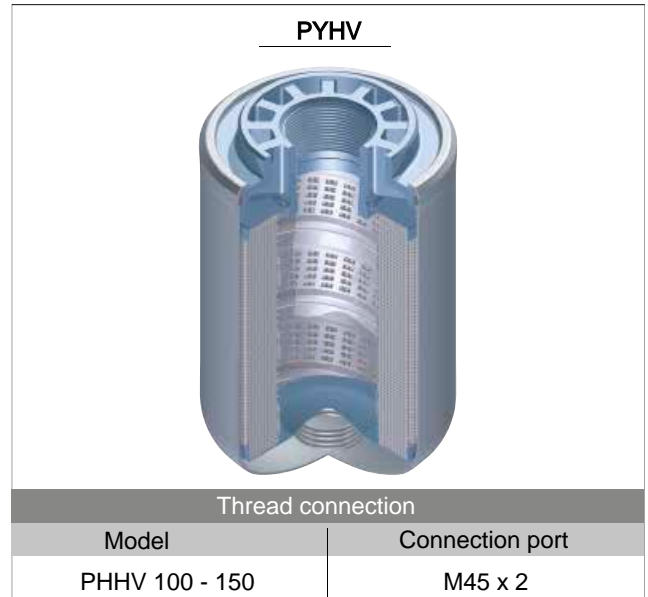
Filter series	Weights [kg]	Volumes [dm <sup>3</sup> ]
PHHV 100	3.30	1.80
PHHV 150	3.80	2.20

The curves are plotted using mineral oil with density of 0.86 kg/dm<sup>3</sup> in compliance with ISO 3968  $\Delta p$  varies proportionally with density.

Bypass valve pressure drop



Filter element





## Ordering Options Table

PHHV 100 G5 F 10 N A B

Filter type

Filter specification

100 150

Connection type and size

Type	Connection	Filter specification	
		100	150
G5	1-1/4"	●	●
G6	1-1/2"	●	●

Filter element material

F: Fiberglass  
W: Stainless steel wire mesh

Filter fineness(μm)

F: 03 05 10 20 30  
W: 25 60 90

Seals

N: NBR V: FKM

Differential pressure transmitter

A: Steel blanking plug in indicator port  
B: Visual (Automatic reset)  
BM: Visual (Manual reset)  
C: Electrical indicator  
CM: Visual and electrical indicators  
CL: Visual and electrical indicators  
D: Electrical indicator  
DM: Electrical indicator Plug DT 04-2P

Bypass valve opening pressure

S = Without bypass valve  
B = 2.5 bar

# Filter Element

PYZS 100 F 10 N

Filter element type

Filter element specification

100 150

Filter element material

F: Fiberglass  
W: Stainless steel wire mesh

Filter fineness(μm)

F: 03 05 10 20 30  
W: 25 60 90

Seals

N: NBR V: FKM

## DIMENSIONS

