

## PHHU Series

### ● DESCRIPTION

#### Spin-on line filter

Connection type and size:

Threaded connection: 3/4" 1"

Maximum flow rate up to 70 l/min

### ● TECHNICAL PARAMETER

Maximum working pressure: 12 bar

Bypass valve opening pressure: 1.75 bar

Transmitter opening pressure: 1.4 bar

Temperature range: -20 to +110



### ● MATERIALS

Head: Cast aluminum, cast iron

Filter bowl: Carbon steel

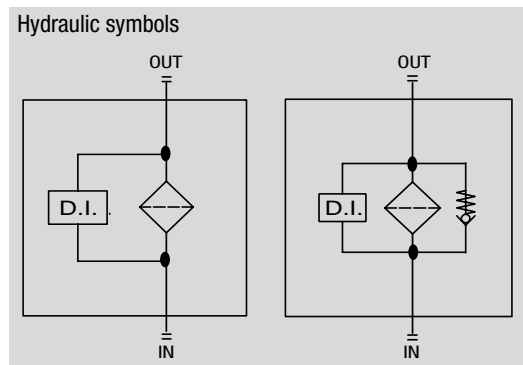
Seals: NBR nitrile rubber (standard)

FKM fluororubber (customizable)

Filter element material: Fiberglass

### ● MEDIA COMPATIBILITY

Suitable for mineral oil, lubricating oil, fire-resistant oil, and rapidly biodegradable media.  
(If used for water-based or special media, please consult our sales department.)

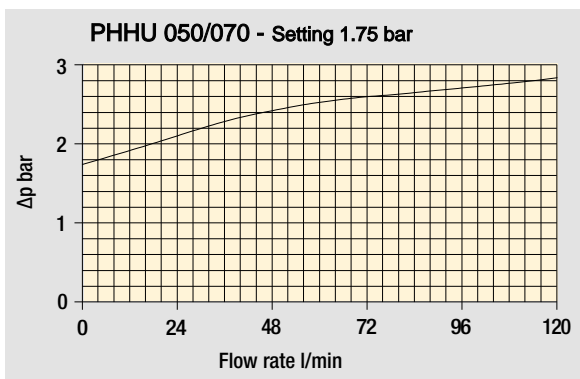


Weights [kg] and volumes [dm<sup>3</sup>]

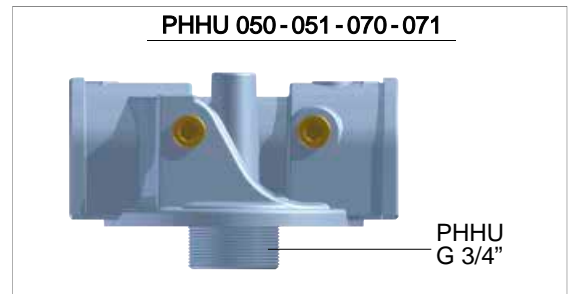
Filter series	Weights [kg]	Volumes [dm <sup>3</sup> ]
PHHU 050	1.00	0.70
PHHU 051	1.05	0.70
PHHU 070	1.20	0.95
PHHU 071	1.25	0.95

The curves are plotted using mineral oil with density of 0.86 kg/dm<sup>3</sup> in compliance with ISO 3968  $\Delta p$  varies proportionally with density.

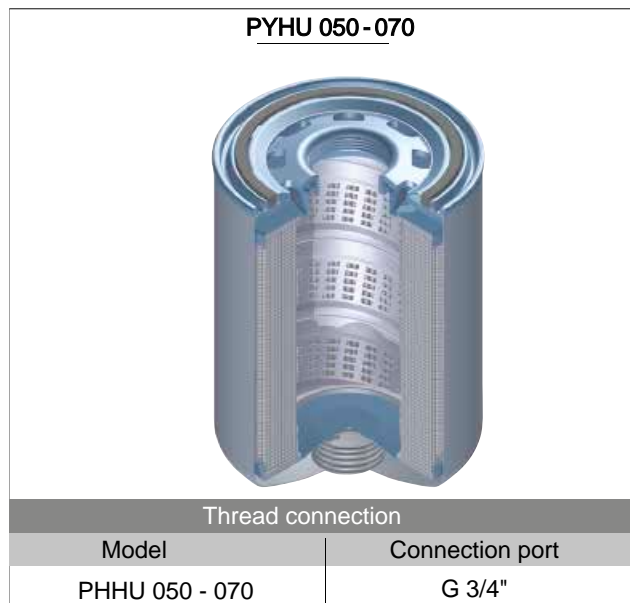
Bypass valve pressure drop



Filter seat



Filter element





## Ordering Options Table

PHHU 050 G5 F 10 N A B

Filter type

Filter specification

050 070 051 071

Connection type and size

Type	Connection	Filter specification			
		050	070	051	071
G3	3/4"	●	●	●	●
G4	1 "	●	●	●	●

Filter element material

F: Fiberglass

W: Stainless steel wire mesh

Filter fineness(μm)

F: 03 05 10 20 30

W: 25 60 90

Seals

N: NBR V: FKM

Differential pressure transmitter

A: Steel blanking plug in indicator port

E: Vacuum gauge indicator

BM: Visual (Automatic reset)

B: Visual (Automatic reset)

CM: Electrical indicator

C: Electrical indicator

CL: Visual and electrical indicators

Bypass valve opening pressure

S = Without bypass valve

B = 1.75 bar

# Filter Element

PYZU 050 F 10 N

Filter element type

Filter element specification

050 070

Filter element material

F: Fiberglass  
W: Stainless steel wire mesh

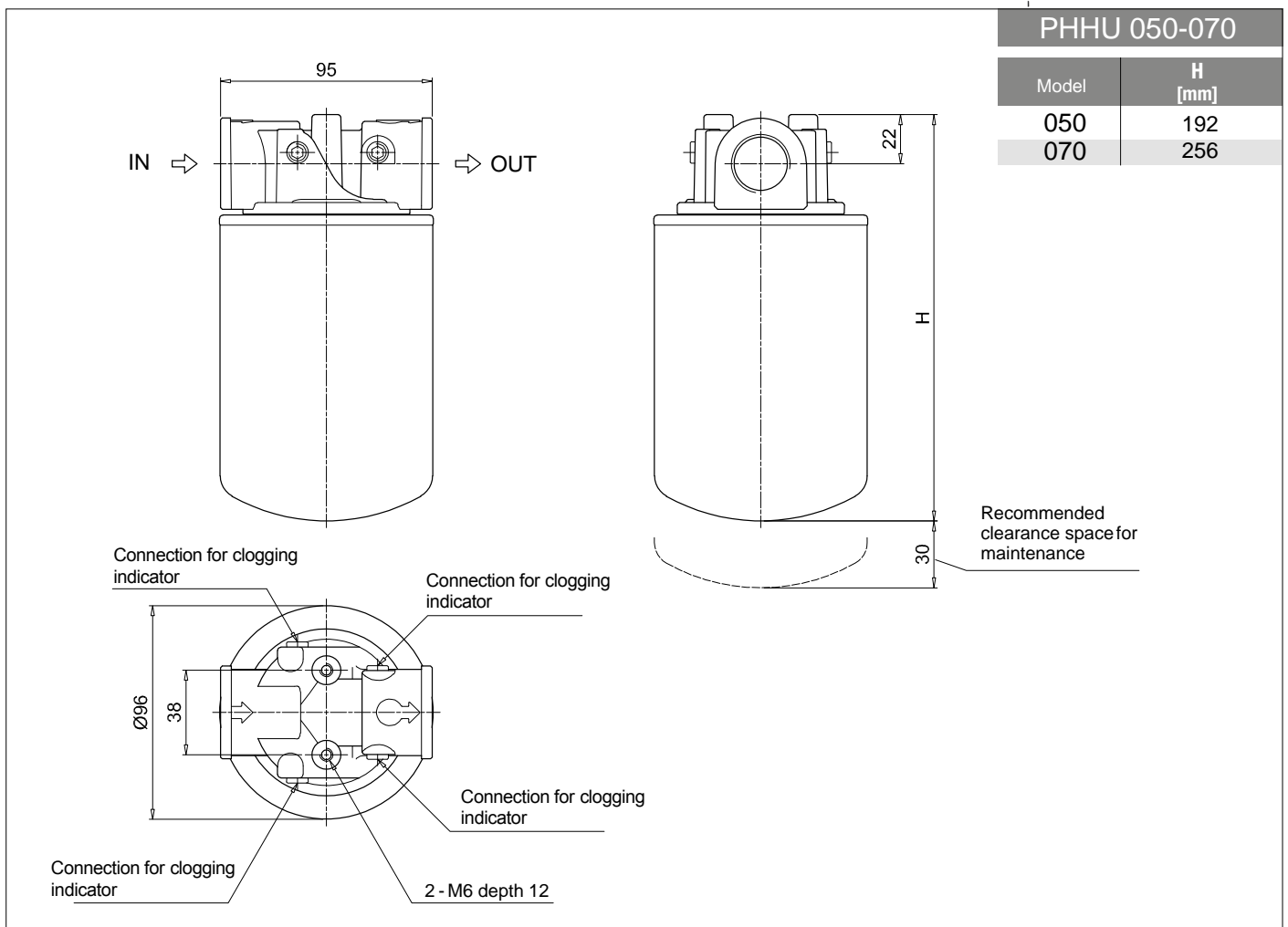
Filter fineness(μm)

F: 03 05 10 20 30  
W: 25 60 90

Seals

N: NBR V: FKM

## DIMENSIONS

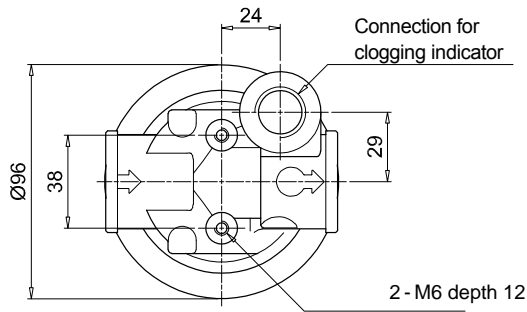
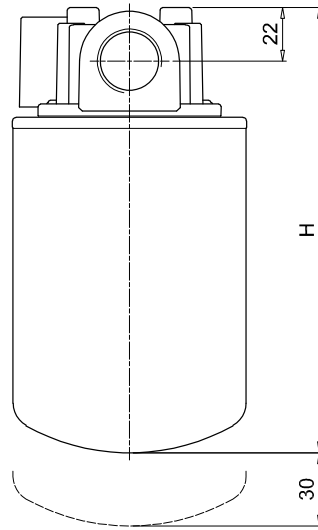
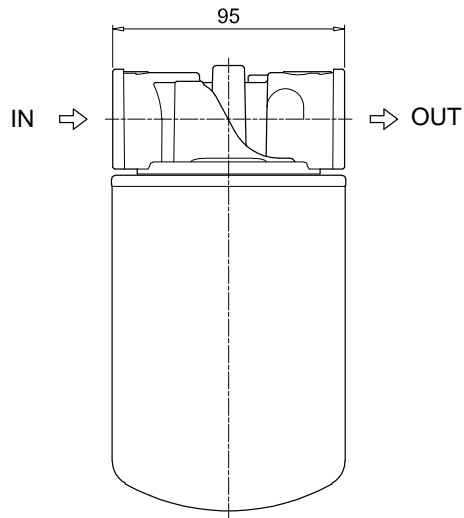




# DIMENSIONS

## PHHU 051-071

Model	H [mm]
051	192
071	256



Recommended clearance space for maintenance