

EHHA Series

● DESCRIPTION

Return filter

Connection type and size:

Threaded connection: G $\frac{3}{4}$ " G1 $\frac{1}{4}$ "

SAE Flange connection: DN50 DN80

Maximum flow rate up to 660 l/min

● TECHNICAL PARAMETER

Maximum working pressure: 25 bar

Bypass valve opening pressure: 3.4 bar

Transmitter opening pressure: 2.4 bar

Temperature range: -43 to +120

● MATERIALS

Head: Cast aluminium

Filter bowl: Cast aluminium

Seals: NBR nitrile rubber (standard)

Or FKM fluororubber (customizable)

Filter element material: Fiberglass



● MEDIA COMPATIBILITY

Suitable for mineral oil, lubricating oil, fire-resistant oil, and rapidly biodegradable media.
(If used for water-based or special media, please consult our sales department.)

Ordering Options Table

EHHA 15 F48 T 10 N B B

Filter type

Filter specification

12 13 14 15

Connection type and size

Type	Connection	Filter size			
		12	13	14	15
C12	G 3/4"	●			
C20	G1 1/4"		●		
F32	DN50 2"			●	
F48	DN80 3"				●

ISO 6162 Flange

Filter element length

Type	Filter element height	Filter size			
		12	13	14	15
R	4"		●		
F	6"	●	●	●	
T	12"				●

Filter fineness(μm)

2.5 5 7 12 22

Seals

N: NBR V: FKM

Bypass valve opening pressure

B = 3.4 bar

Differential pressure transmitter

- A: Steel blanking plug in indicator port
- B: Vacuum gauge indicator
- BM: Visual (Automatic reset)
- C: Electrical indicator
- CL: Visual and electrical indicators



Filter Element

EYHA 15 T 12 N 50

Filter element type

Filter element specification

12 13 14 15

Filter element length

Type	Filter element height	Filter size			
		12	13	14	15
R	4"		●		
F	6"	●	●	●	
T	12"				●

Filtration fineness(μm)

2.5 5 7 12 22

Seals

N: NBR V: FKM

Bypass valve opening pressure

B = 3.4 bar

Maintenance Instructions

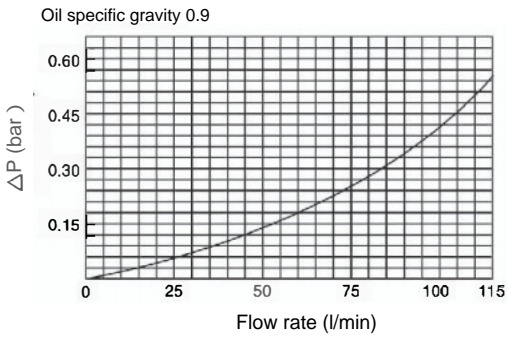
Filter housing must be grounded

When using electric plugging, please replace the filter element.

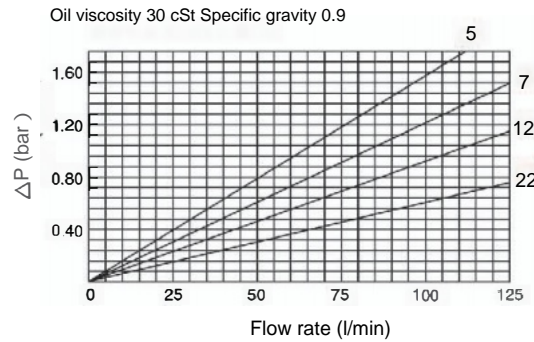
The system must be turned off before removing the clogging indicator light and power connector.

EHHA 12

Filter housing pressure drop

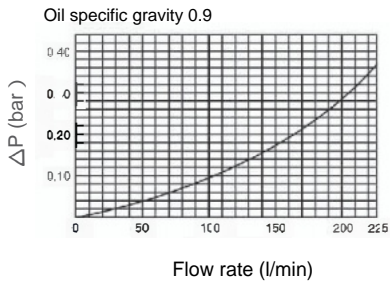


F Length filter pressure drop

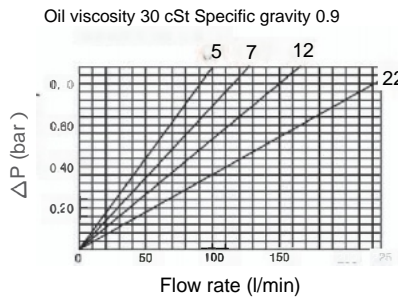


EHHA 13

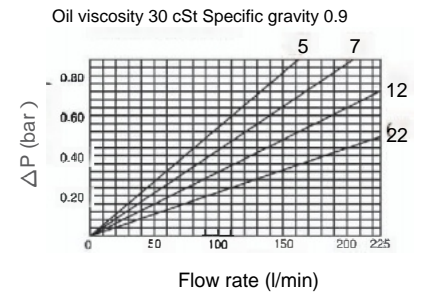
Filter housing pressure drop



R Length filter pressure drop

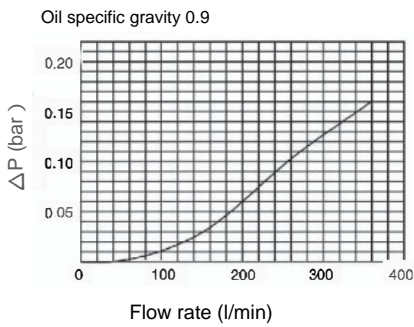


F Length filter pressure drop

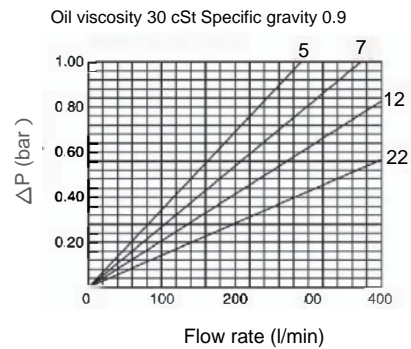


EHHA 14

Filter housing pressure drop

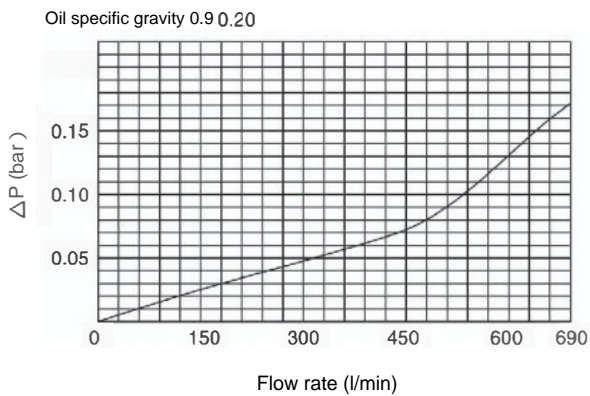


F Length filter pressure drop

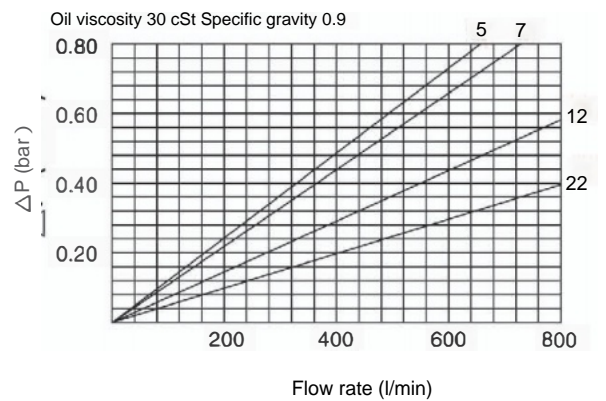


EHHA 15

Filter housing pressure drop



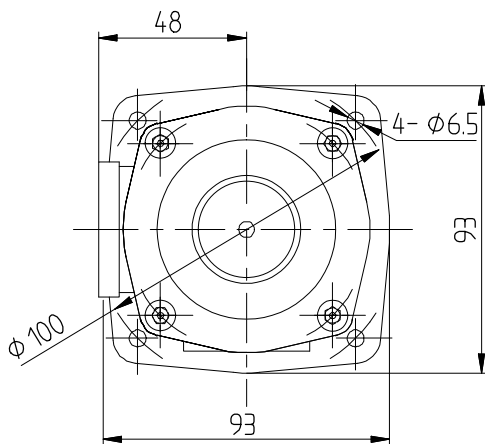
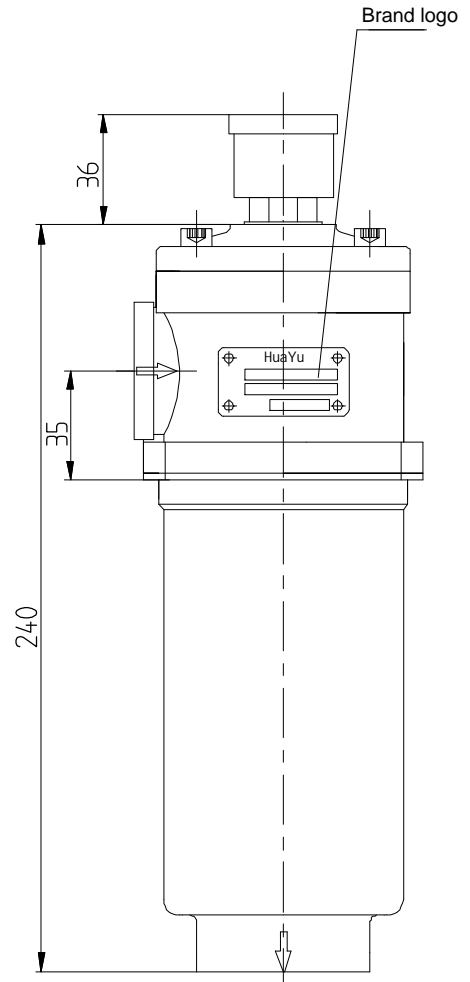
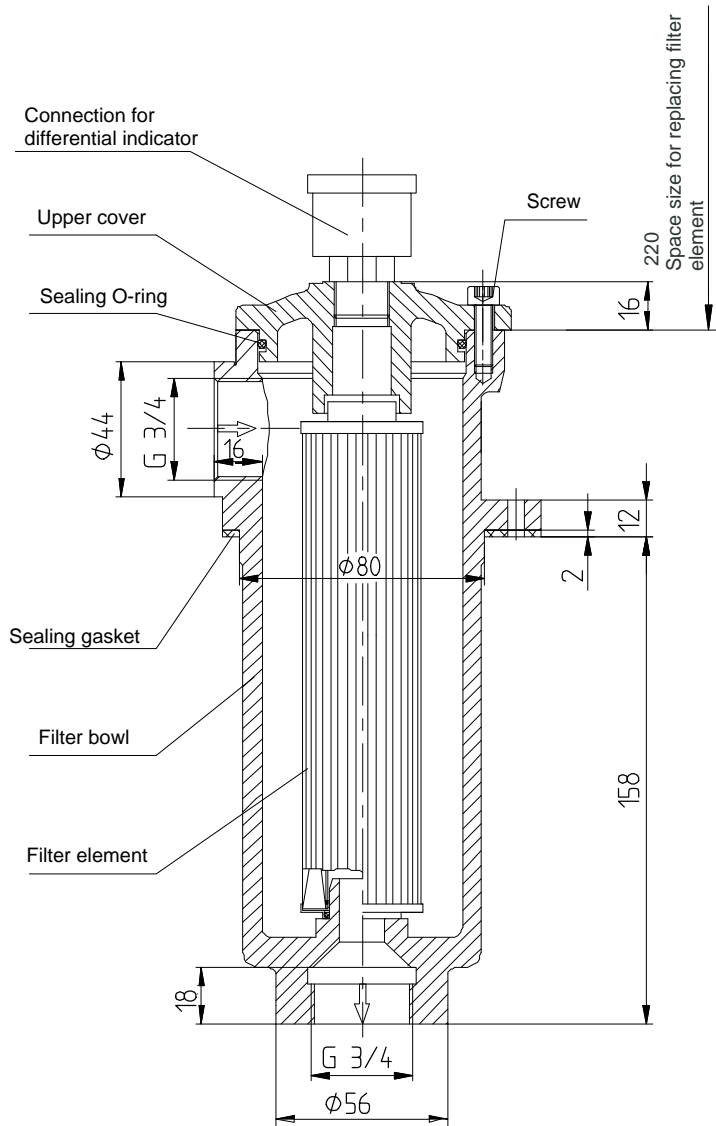
T Length filter pressure drop



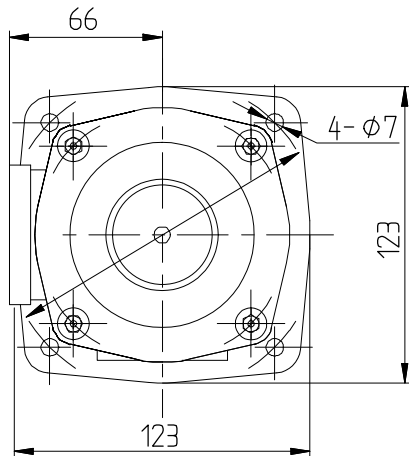
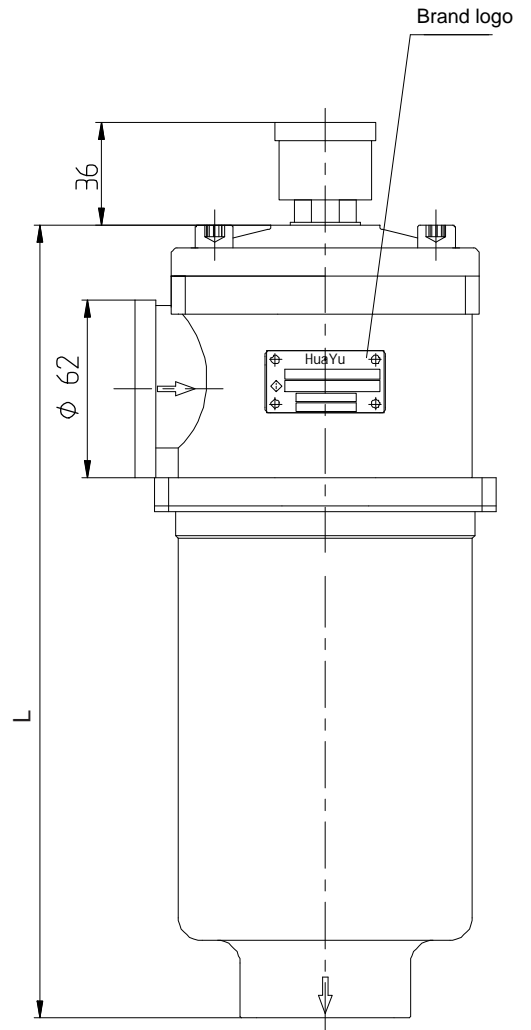
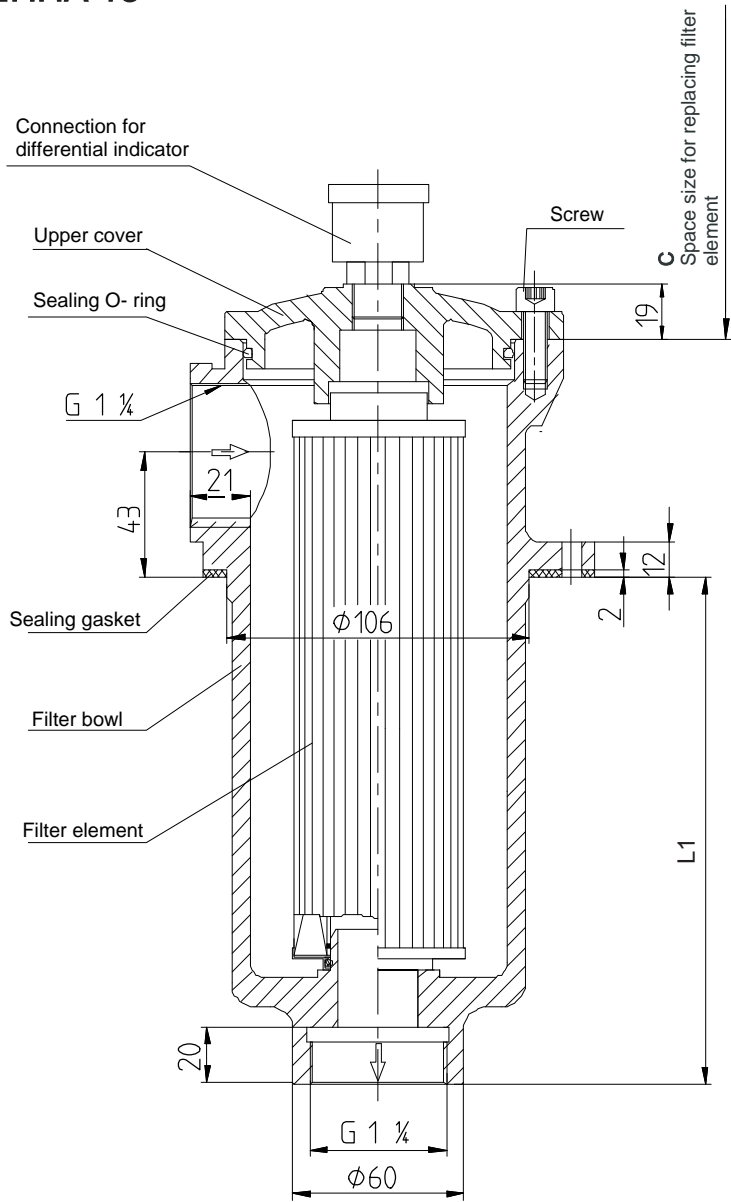


DIMENSIONS

EHHA 12

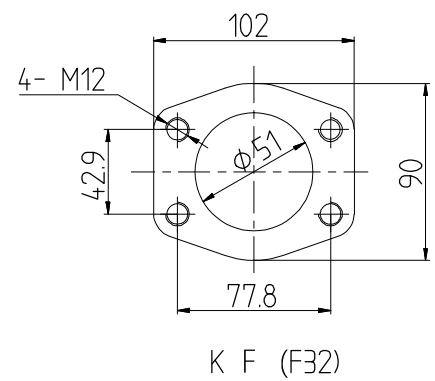
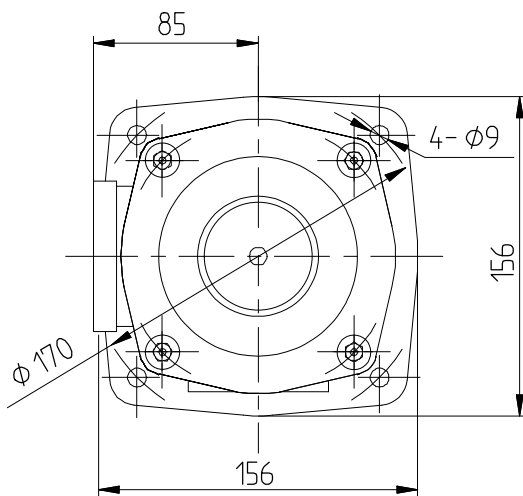
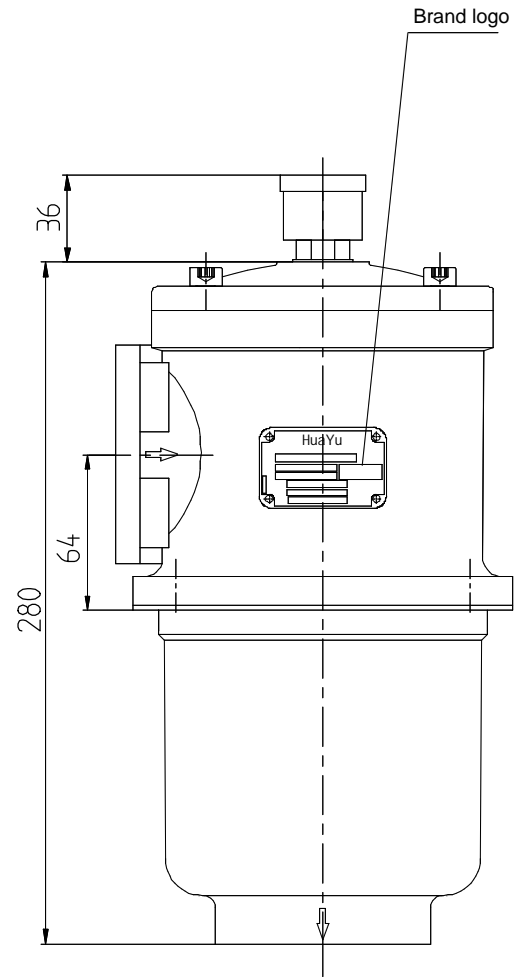
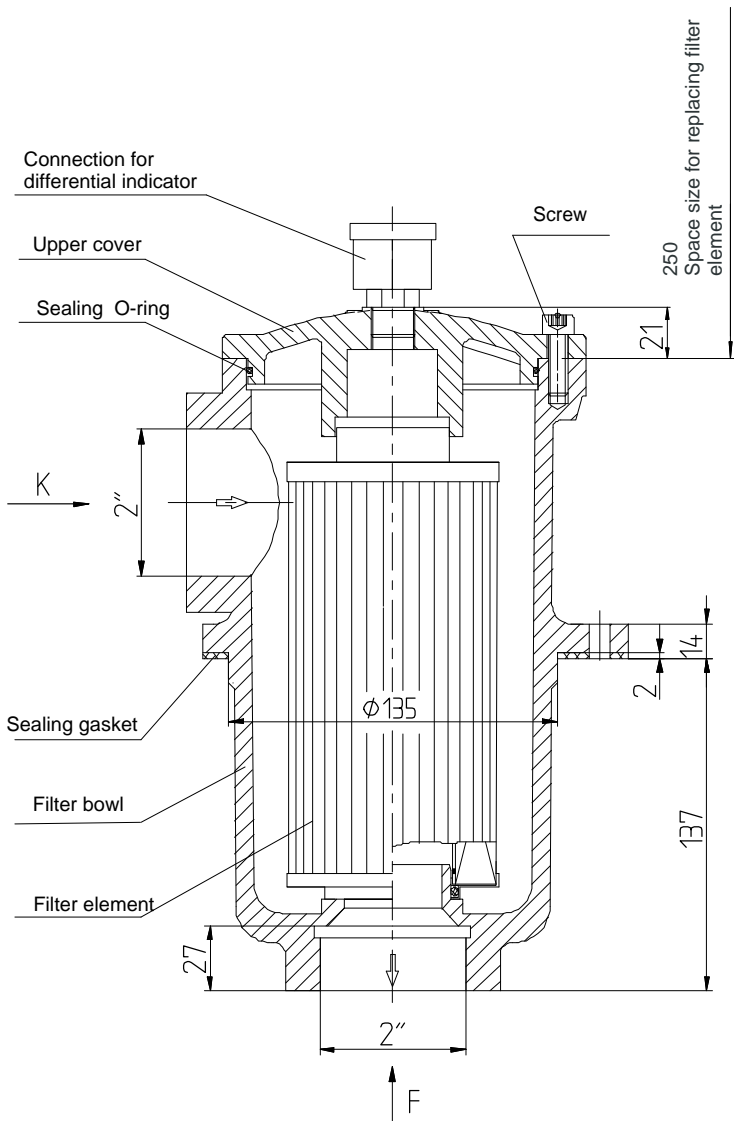


EHHA 13



Filter type	L	L1	C
EHHA13C20**R	217	119	190
EHHA13C20**F	276	178	250

EHHA 14



EHHA 15

